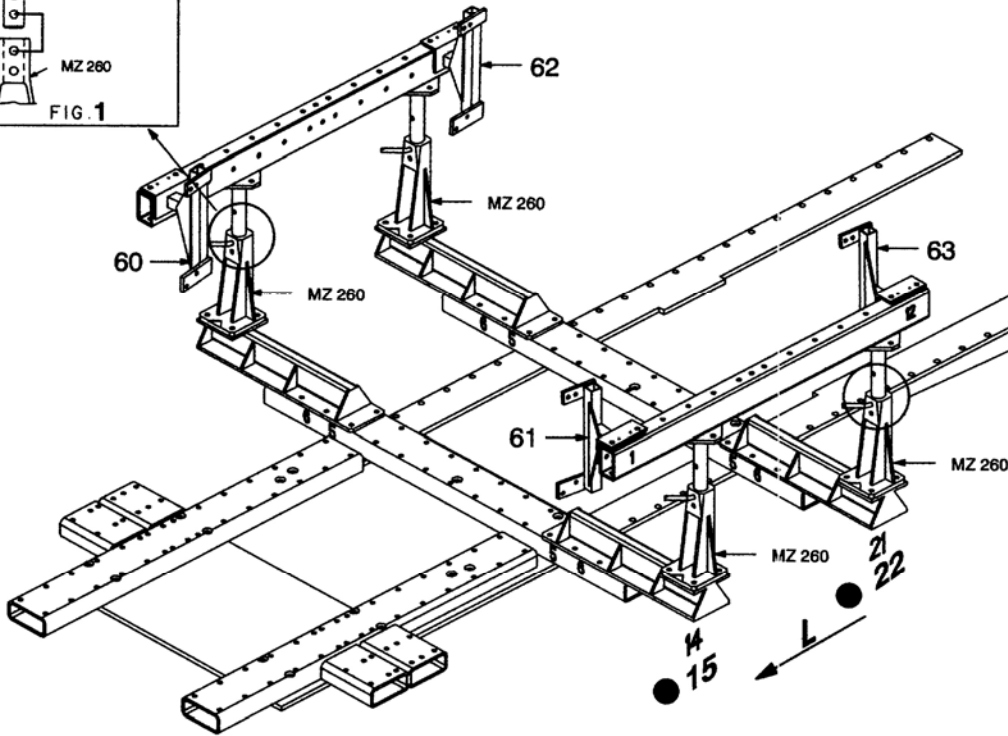
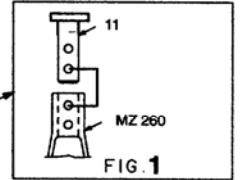
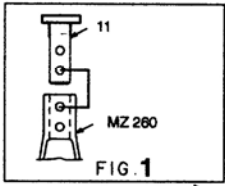


● **CHINA VERSION**



REP.	REFERENCE	PDS	NB
60	745.7080	3,7	1
61	745.7061	3,7	1
62	745.7062	3,7	1
63	745.7063	3,7	1
64	745.7064	2,6	1
65	745.7065	2,6	1

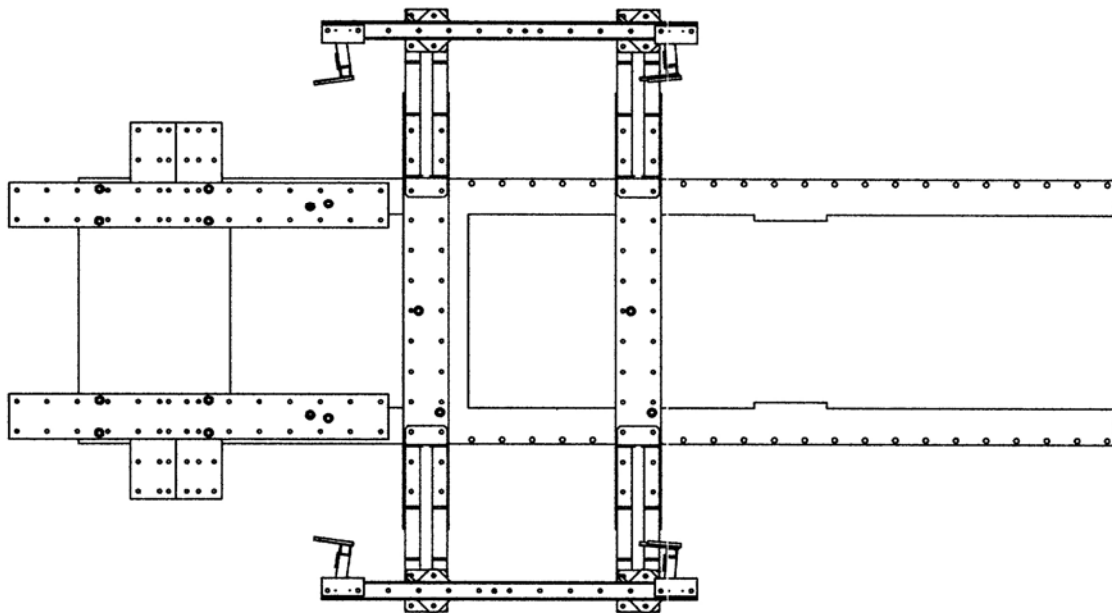
699.300 + 699.305
 + **9113.053** Ou/Ori/Oder/O
699.400 + 699.305
 + **9113.053** Ou/Ori/Oder/O
 complément au
 complementary set to
 complemento al
 zusatz zu **745.310**
745.410
 + **9113.053**

VAS 5007/2



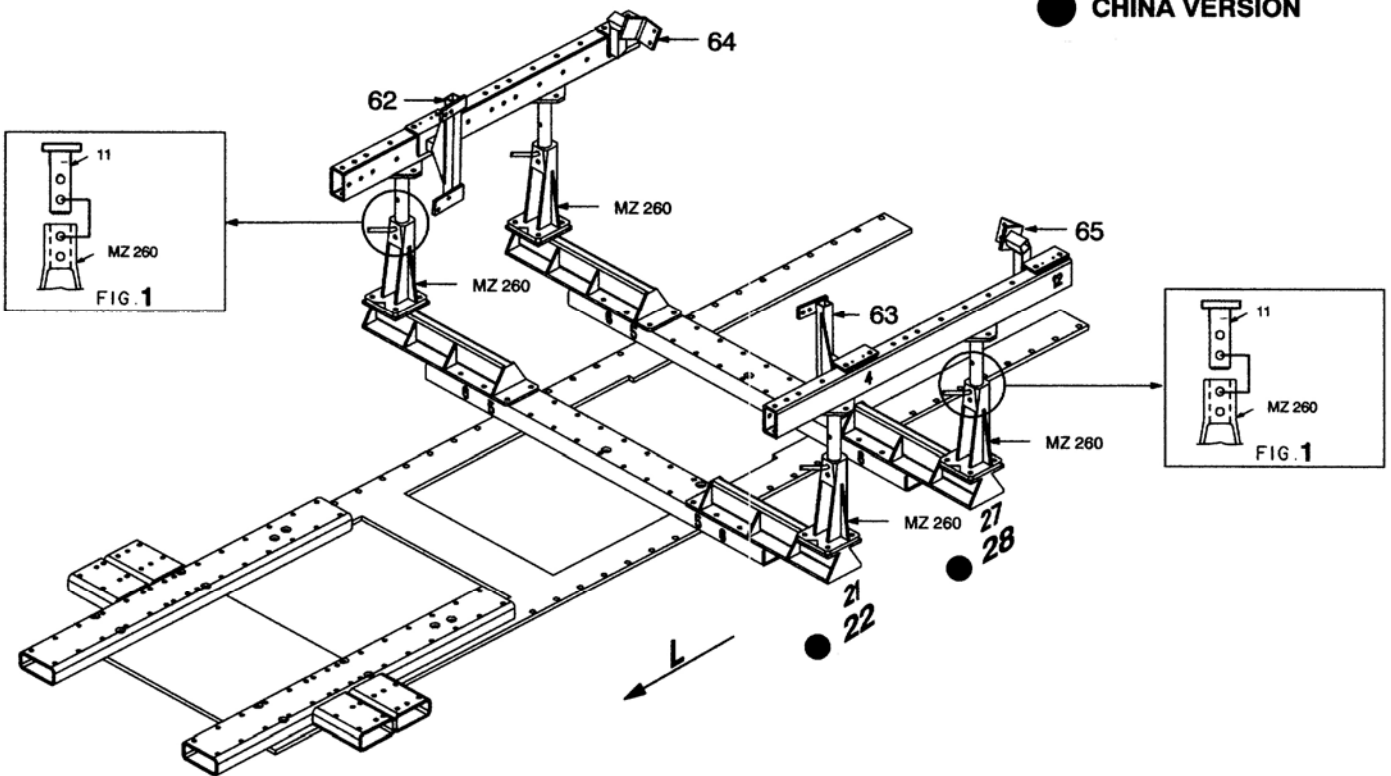
745.800C

20 Kg | 17.04.2000 | 745.800C-1RVA3



- 1 2 3 4 5 6 7 8 9 10 11 12 13 14 15 16 17 18 19 20 21 22 23 24 25 26 27 28 29 30 31 32 33 34 35 36
- 15 ● 22

● CHINA VERSION



VAS 5007/2



745.800C

20 Kg	17.04.2000	745.800C-1RVA3
-------	------------	----------------

