

REP.	REFERENCE	PDS	NB
60	745.7060	3,7	1
61	745.7061	3,7	1
62	745.7062	3,7	1
63	745.7063	3,7	1
64	745.7064	2,6	1
65	745.7065	2,6	1

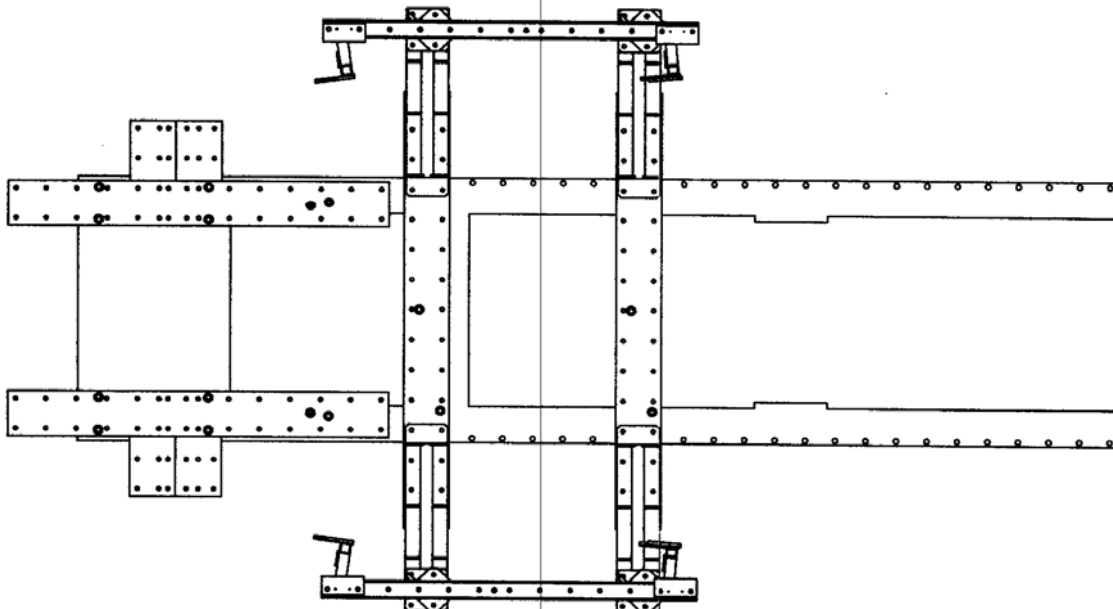
699.300 + 699.305
+ 9113.053 Ou/Or/Oder/O
699.400 + 699.305
+ 9113.053 Ou/Or/Oder/O
 complément au **745.310**
 complementary set to **745.310**
 complemento al **745.410**
 zusetz zu **+ 9113.053**

VAS 5007/2

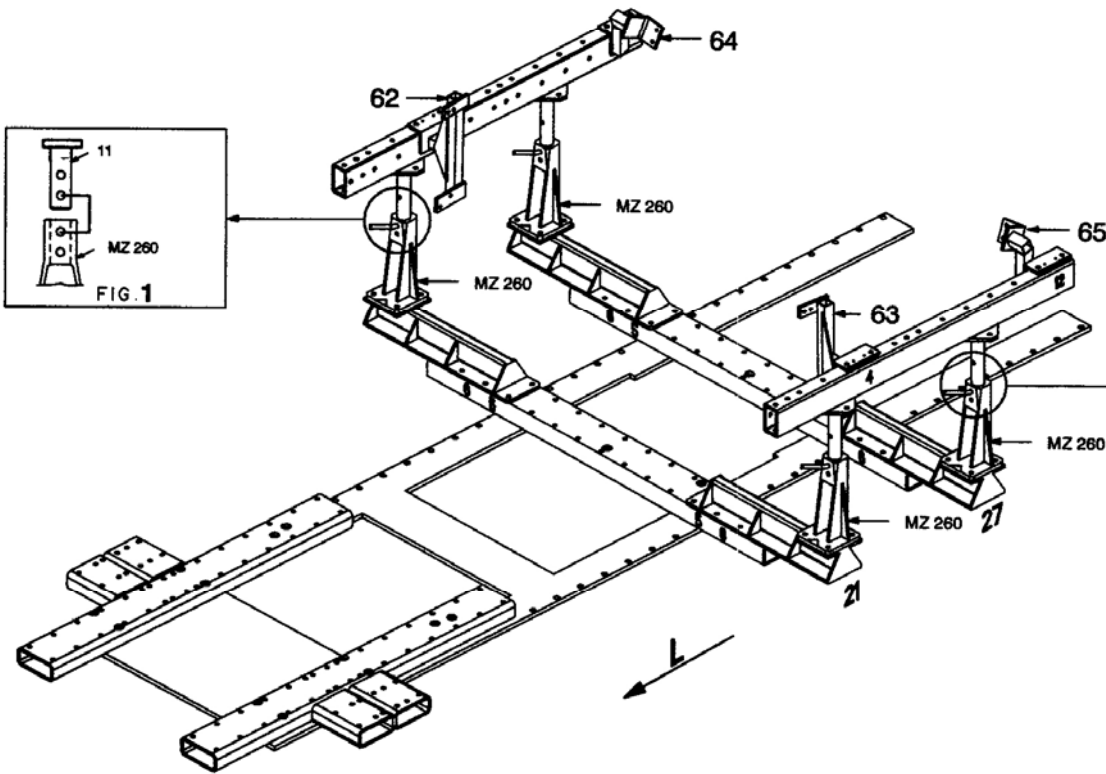


745.800

20 Kg 25.06.98 745.800-1RVA3



1 2 3 4 5 6 7 8 9 10 11 12 13 14 15 16 17 18 19 20 21 22 23 24 25 26 27 28 29 30 31 32 33 34 35 36

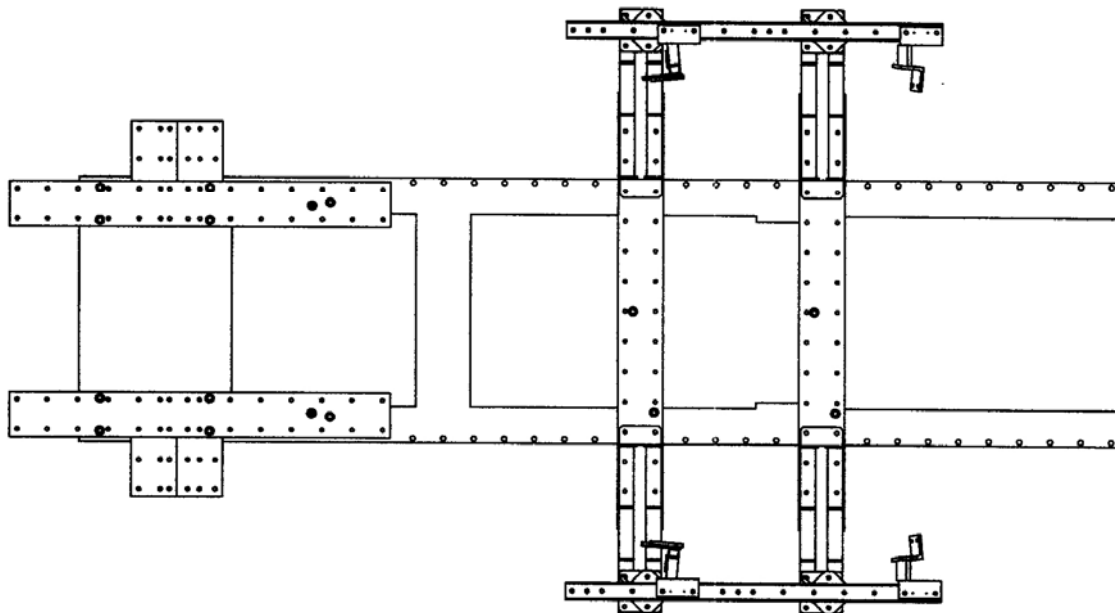


VAS 5007/2



745.800

20 Kg	25.08.98	745.800-1RVA3
-------	----------	---------------



1 2 3 4 5 6 7 8 9 10 11 12 13 14 15 16 17 18 19 20 21 22 23 24 25 26 27 28 29 30 31 32 33 34 35 36