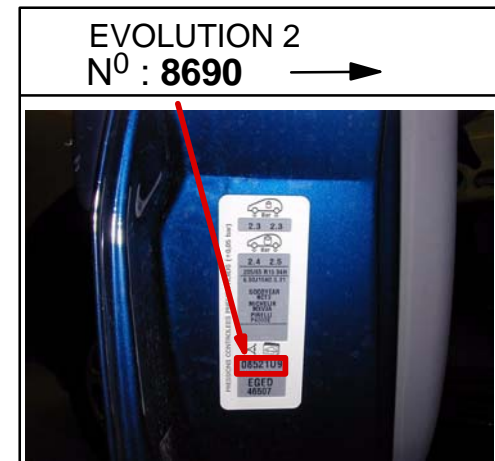
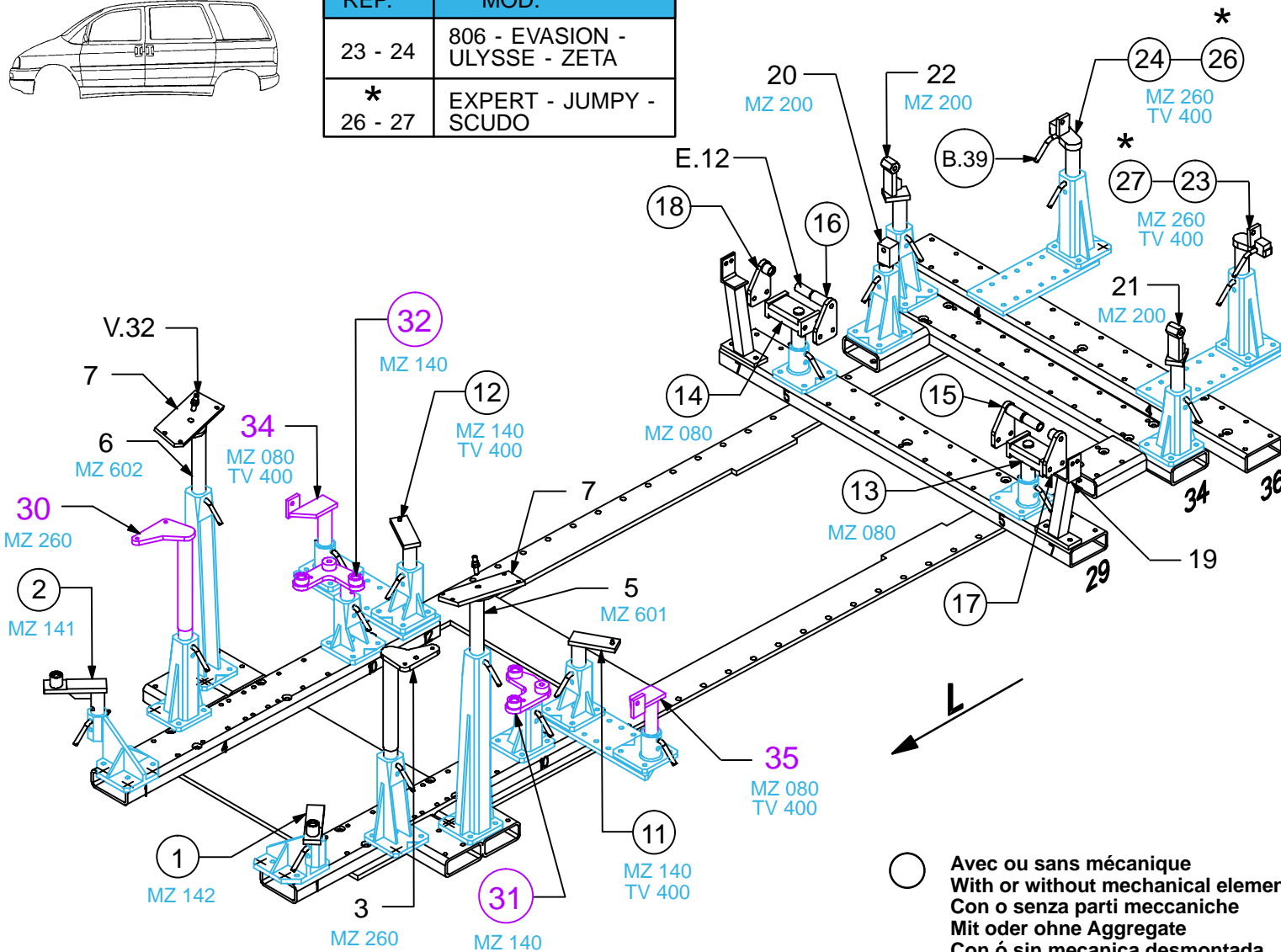


| REP. | MOD. |
|-----------|-------------------------------|
| 23 - 24 | 806 - EVASION - ULYSSE - ZETA |
| * 26 - 27 | EXPERT - JUMPY - SCUDO |



| REP. | REFERENCE | PDS | NB | MZ |
|------|-----------|-----|----|-----|
| 30 | 696.730 | 3,0 | 1 | 260 |
| 31 | 696.731 | 3,1 | 1 | 140 |
| 32 | 696.732 | 3,1 | 1 | 140 |
| 33 | 696.733 | 0,1 | 2 | |
| 34 | 696.734 | 2,6 | 1 | 080 |
| 35 | 696.735 | 2,6 | 1 | 080 |

| | |
|----------|---|
| M 8-25 | 2 |
| M 10-25 | 2 |
| M 12-55 | 6 |
| M 12-100 | 6 |
| M 10 | 2 |

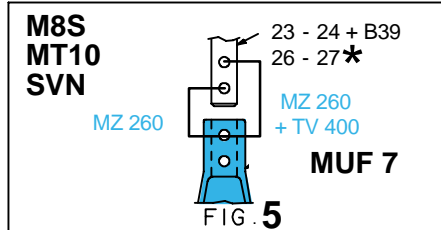
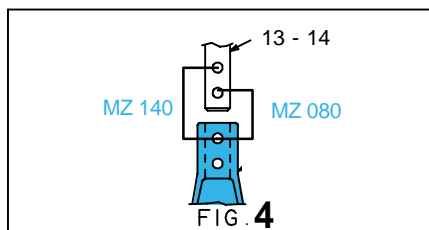
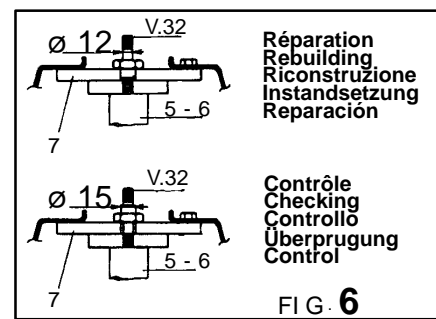
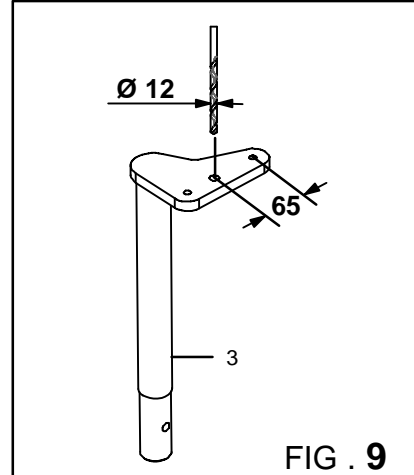
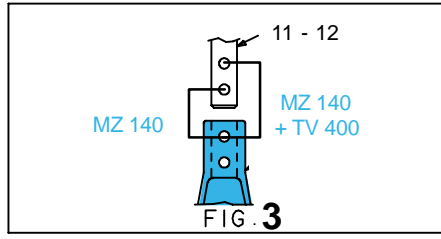
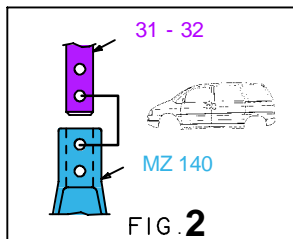
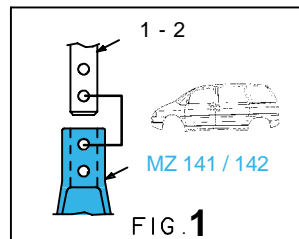
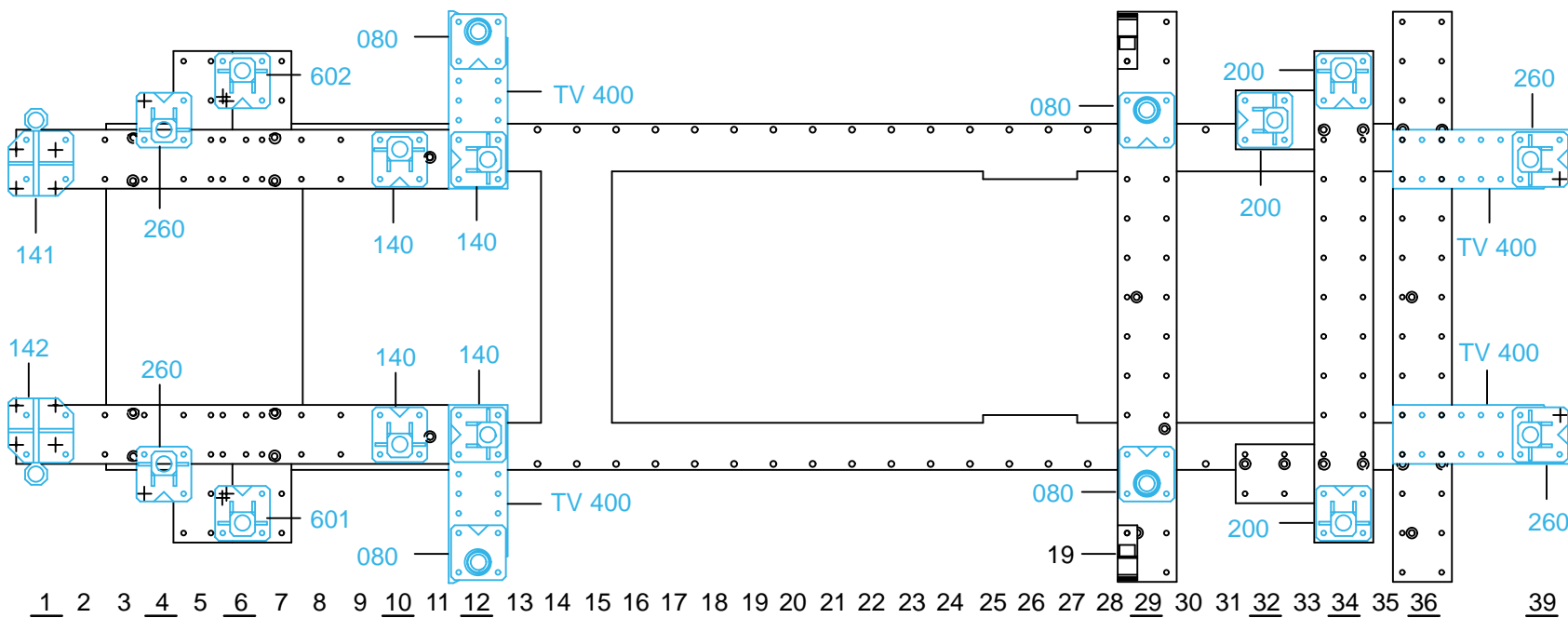
complément au
complementary set to
complemento al
zusatz zu

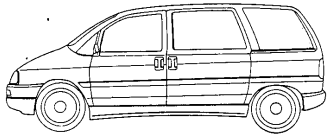
696.300
696.309

PEUGEOT / CITROEN / FIAT / LANCIA

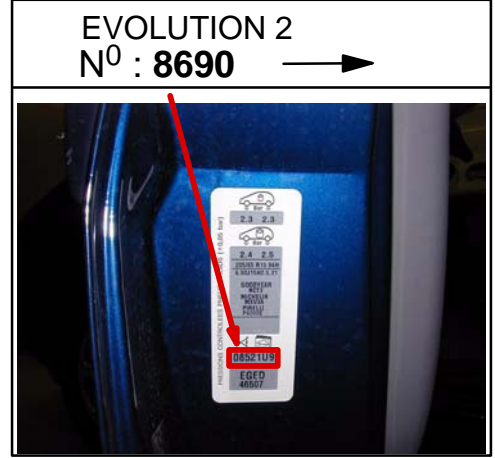
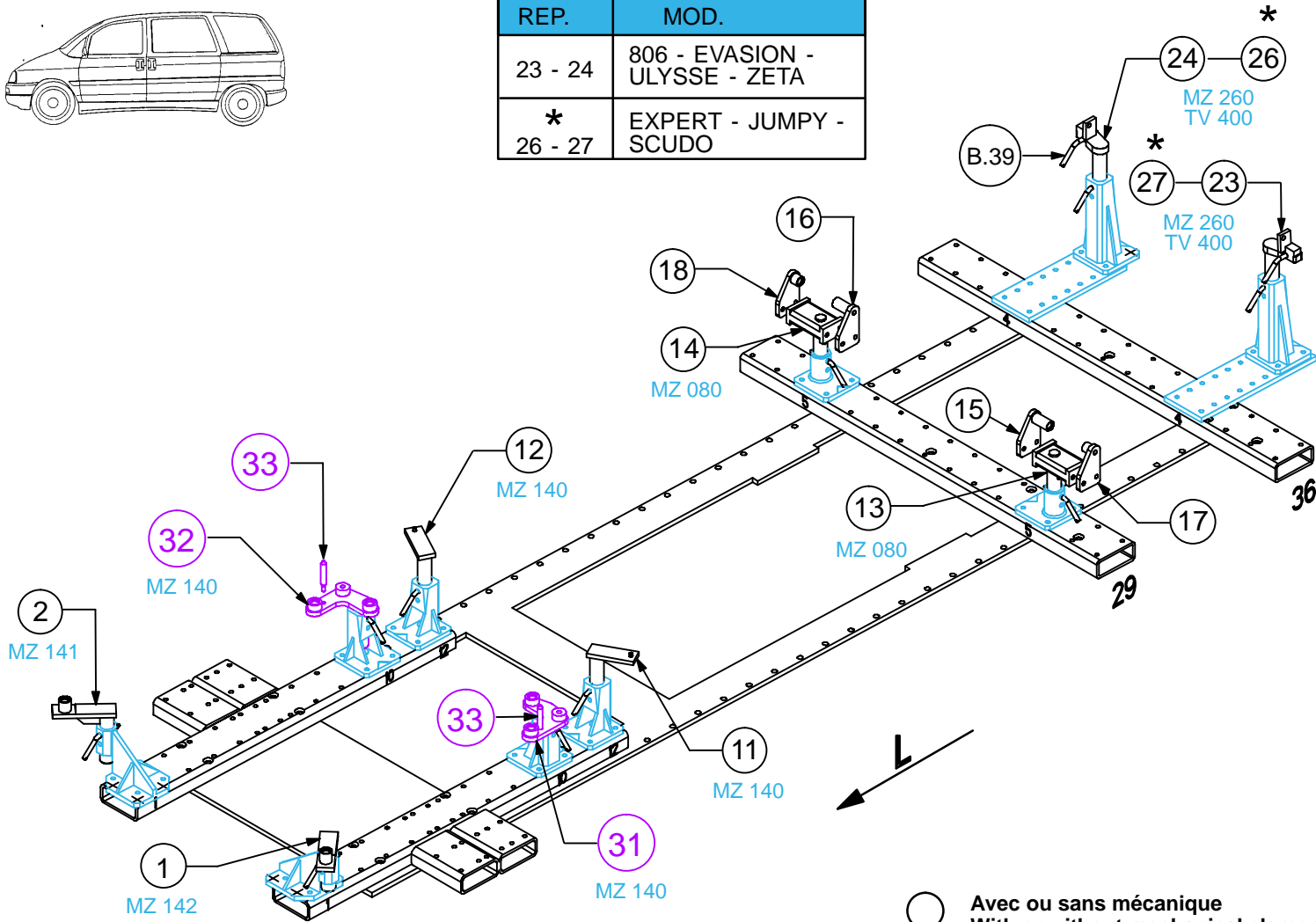
696.308

16 Kg | 28.08.2000 | 423-D-15G





| REP. | MOD. |
|--------------|-------------------------------|
| 23 - 24 | 806 - EVASION - ULYSSE - ZETA |
| * 26 - 27 | EXPERT - JUMPY - SCUDO |



PEUGEOT / CITROEN / FIAT / LANCIA

696.308

16 Kg 29.08.2000 423-D-15H

