

○ Avec ou sans mécanique
 With or without mechanical elements
 Con o senza parti meccaniche
 Mit oder ohne Aggregate
 Con ó sin mecanica desmontada

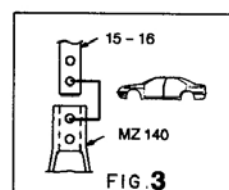
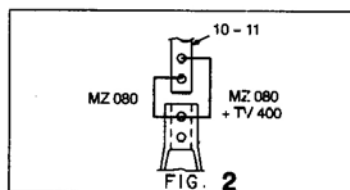
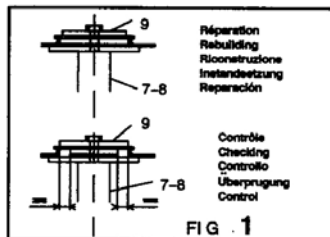
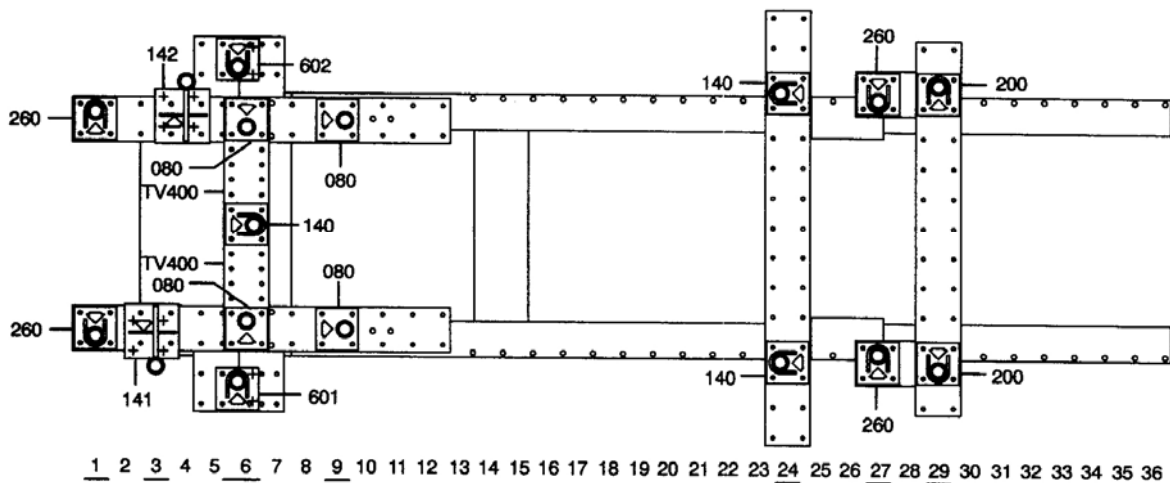
| REP. | REFERENCE | PDS | NB | MZ |
|------|-----------|-----|----|-----|
| 1 | 646.701 | 3,8 | 1 | 260 |
| 2 | 646.702 | 3,8 | 1 | 260 |
| 3 | 646.703 | 4,5 | 1 | 141 |
| 4 | 646.704 | 4,5 | 1 | 142 |
| 5 | 646.705 | 1,7 | 1 | |
| 6 | 646.706 | 1,5 | 1 | |
| 7 | 646.707 | 2,8 | 1 | 601 |
| 8 | 646.708 | 2,8 | 1 | 602 |
| 9 | 646.709 | 0,5 | 2 | |
| 10 | 646.710 | 1,5 | 1 | 080 |
| 11 | 646.711 | 1,5 | 1 | 080 |
| 12 | 646.712 | 4,0 | 1 | 140 |
| 13 | 646.713 | 1,7 | 1 | 080 |
| 14 | 646.714 | 1,7 | 1 | 080 |
| 15 | 646.715 | 1,9 | 1 | 140 |
| 16 | 646.716 | 1,9 | 1 | 140 |
| 17 | 646.717 | 1,8 | 1 | 260 |
| 18 | 646.718 | 1,8 | 1 | 260 |
| 19 | 646.719 | 2,4 | 1 | 200 |
| 20 | 646.720 | 2,4 | 1 | 200 |
| 21 | 646.721 | 1,7 | 1 | |
| | V.11 | 0,1 | 1 | |
| | V.51 | 0,1 | 1 | |

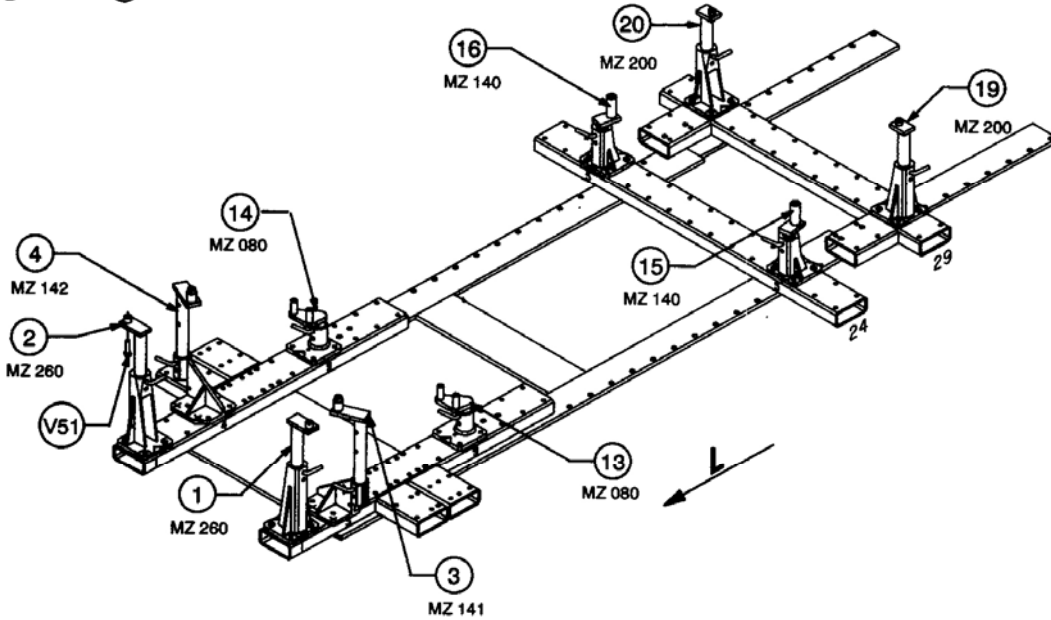
| | |
|--------------|---|
| M 8x25 | 4 |
| M 8x50 | 1 |
| M 10.125x25 | 2 |
| M 10.125x30 | 2 |
| M 12x25 | 6 |
| M 12.125x50 | 2 |
| M 12.125x80 | 4 |
| M 12.125x120 | 2 |
| M 12.125x140 | 2 |

FIAT

646.310

52 Kg 18.09.98 411-D-14C



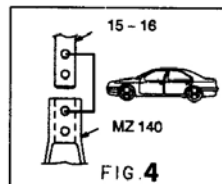
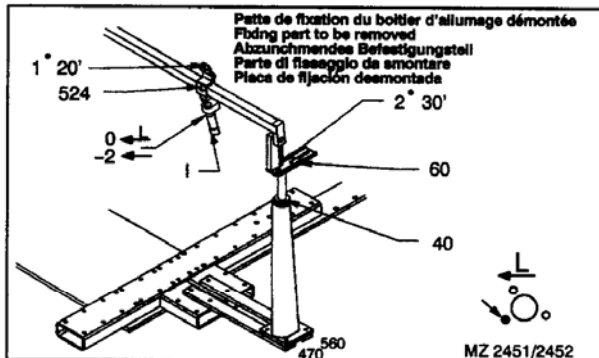
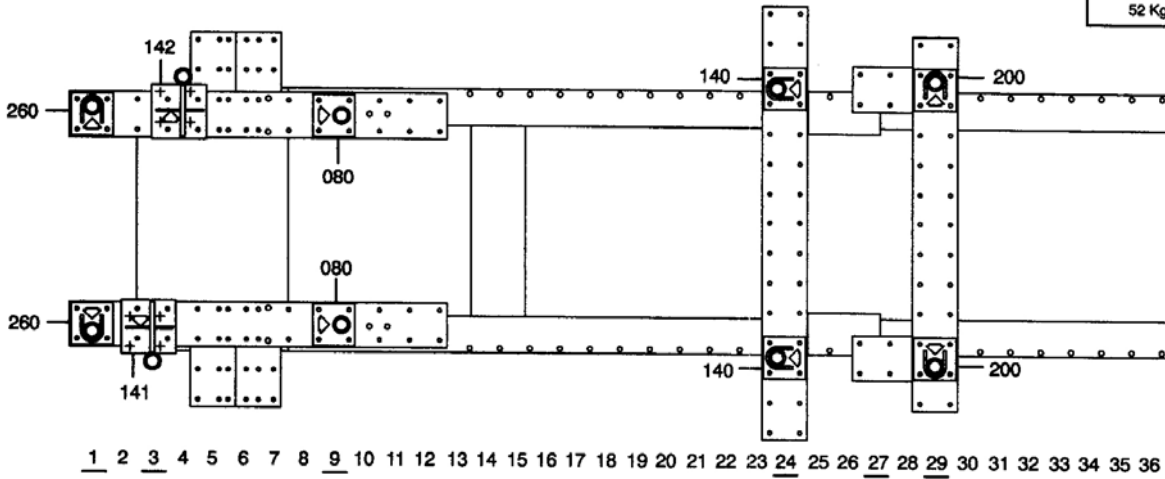


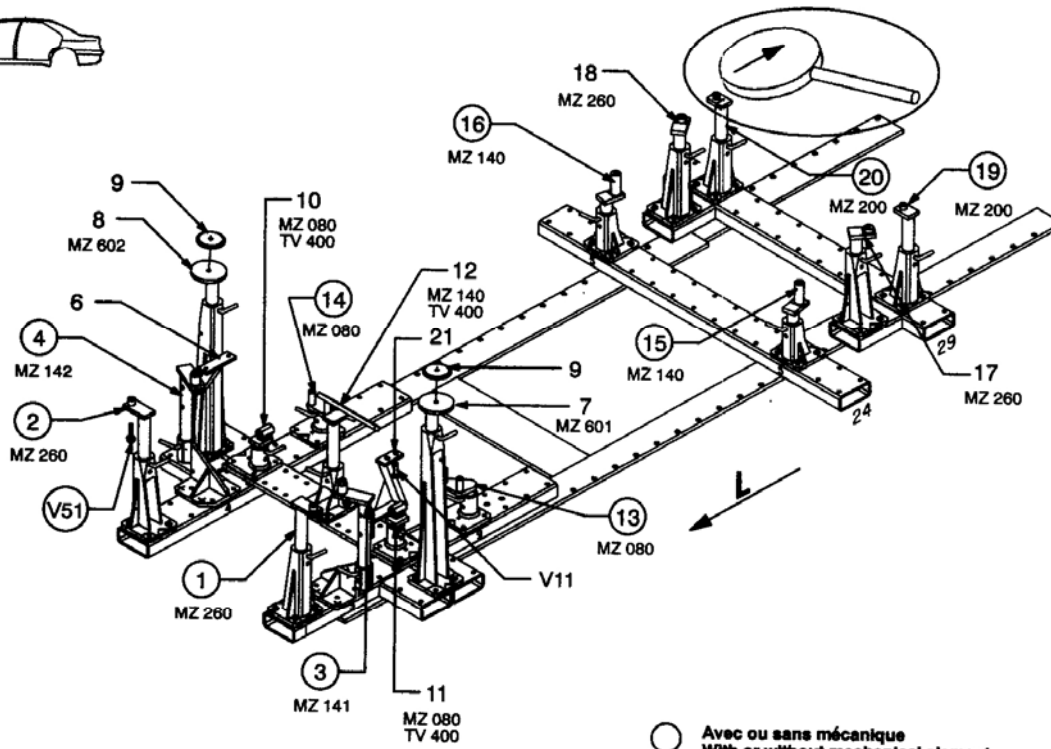
○ Avec ou sans mécanique
 With or without mechanical elements
 Con o senza parti meccaniche
 Mit oder ohne Aggregate
 Con ó sin mecánica desmontada

FIAT

646.310

52 Kg 18.09.98 411-D-14D



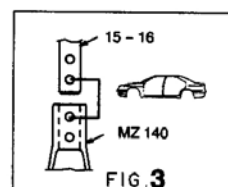
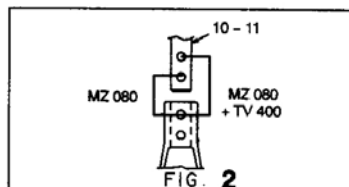
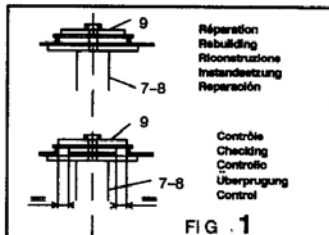
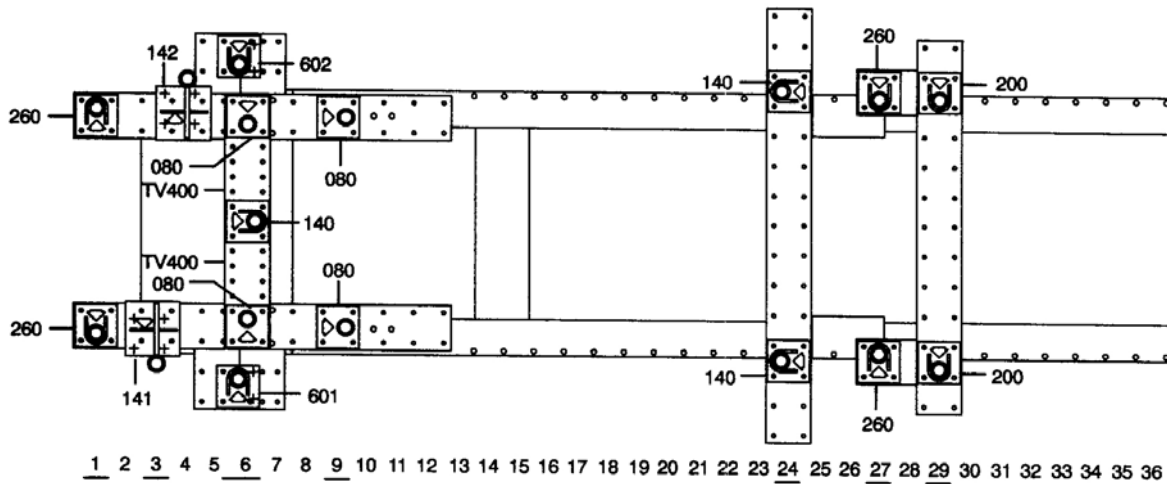


○ Avec ou sans mécanique
 With or without mechanical elements
 Con o senza parti meccaniche
 Mit oder ohne Aggregate
 Con ó sin mecánica desmontada

FIAT

646.310

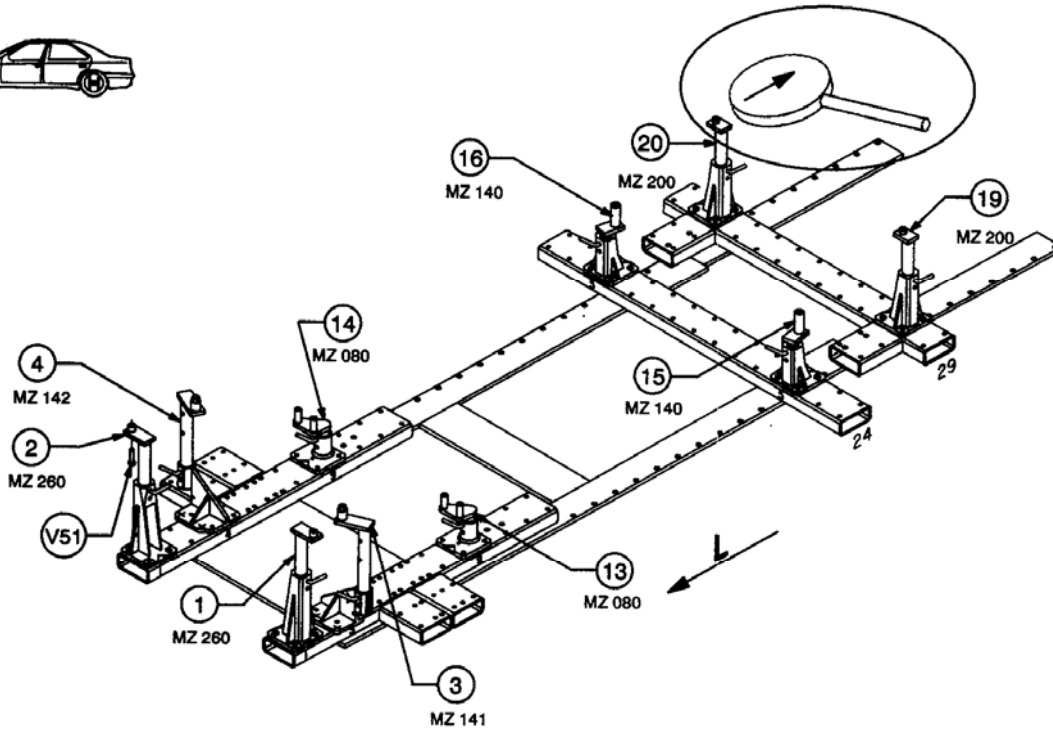
52 Kg 18.09.98 411-D-14E





CELETTE®

FIAT SEICENTO

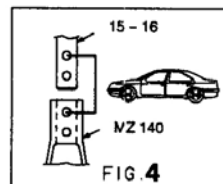
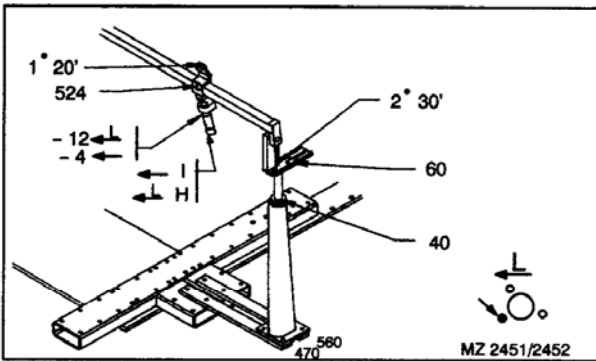
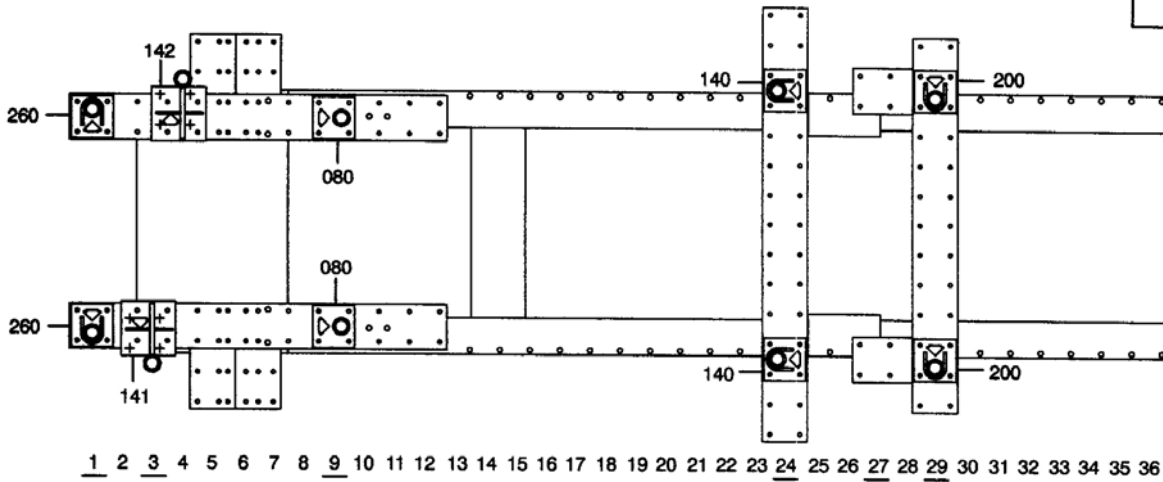


○ Avec ou sans mécanique
 With or without mechanical elements
 Con o senza parti meccaniche
 Mit oder ohne Aggregate
 Con ó sin mecanica desmontada

FIAT

646.310

| | | |
|-------|----------|-----------|
| 52 Kg | 18.09.98 | 411-D-14F |
|-------|----------|-----------|



CELETTE®
VIENNE-FRANCE

© Copyright 1998 CELETTE S.A. - All rights reserved. No part of this document may be reproduced in any form, by photostat, xerography or any other means, or incorporated into any informational retrieval system, electronic or mechanical, without the permission of the copyright owner.