

REP.	REFERENCE	PDS	NB	MZ
1	629.701	3.4	1	142
2	629.702	3.4	1	141
3	629.703	1.8	1	
4	629.704	1.8	1	
5	629.705	3.5	1	260
6	629.706	3.5	1	601
7	629.707	2.2	1	080/260
8	629.708	2.2	1	080/260
9	629.709	3.5	1	601
10	629.710	3.5	1	602
11	629.711	3.0	2	
12	629.712	2.9	1	080/140
13	629.713	2.9	1	080/140
14	629.714	0.4	2	
15	629.715	4.2	1	080
16	629.716	3.0	1	080
17	629.717	3.0	1	080
18	629.718	1.0	2	
19	629.719	2.1	1	140/200
20	629.720	2.1	1	140/200
21	629.721	1.2	1	
22	629.722	1.2	1	
23	629.723	3.3	1	601
24	629.724	3.3	1	602
25	629.725	1.2	2	
26	629.726	2.9	1	200
27	629.727	2.8	1	200
28	629.728	1.9	1	
29	629.729	1.9	1	
30	629.730	0.8	2	
31	629.731	0.2	2	
	V 72	0.1	2	
	V 45	0.1	2	
	V 25	0.1	1	
	T 033	0.2	1	

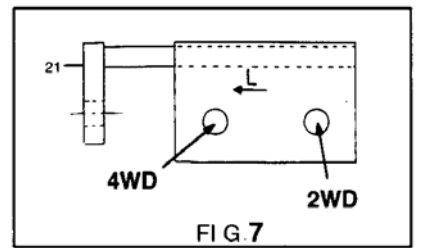
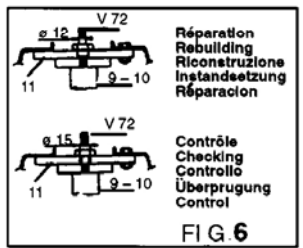
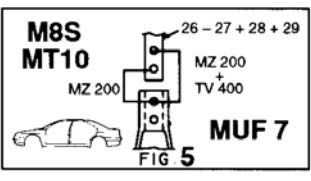
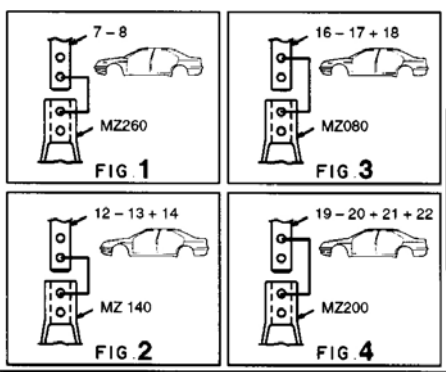
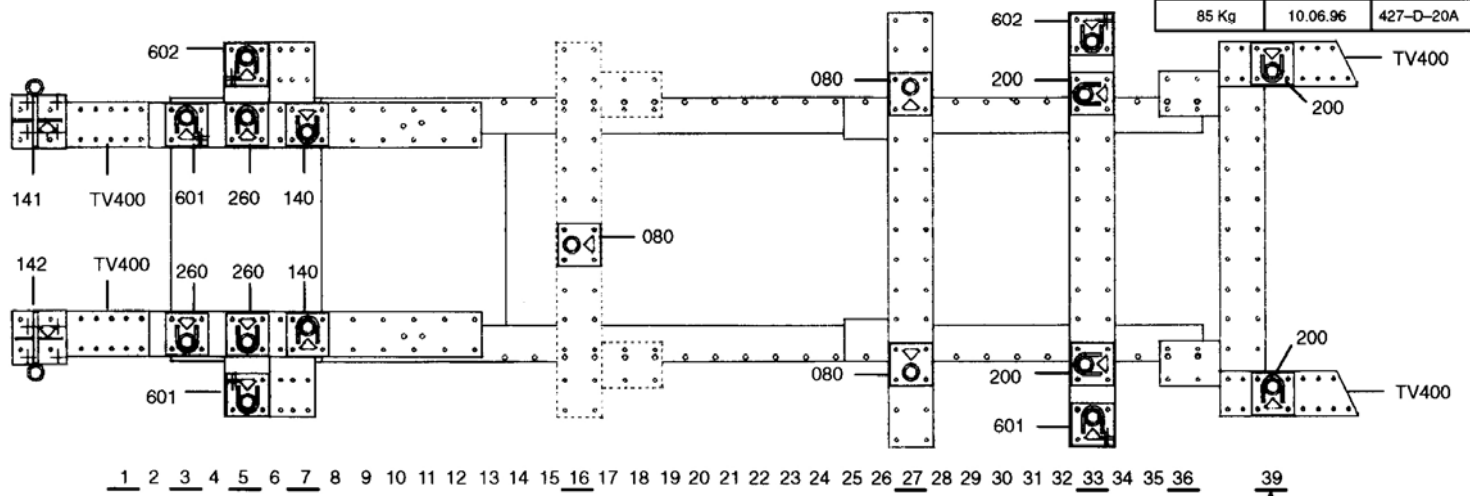
	HM8x35	1
	HM10x30	2
	HM10x40	1
	HM10x70	2
	HM12x25	18
	HM12x30	2
	HM12x40	2
	HM16x20	4
	HM18x30	2
	HM12	6
	HM18	2

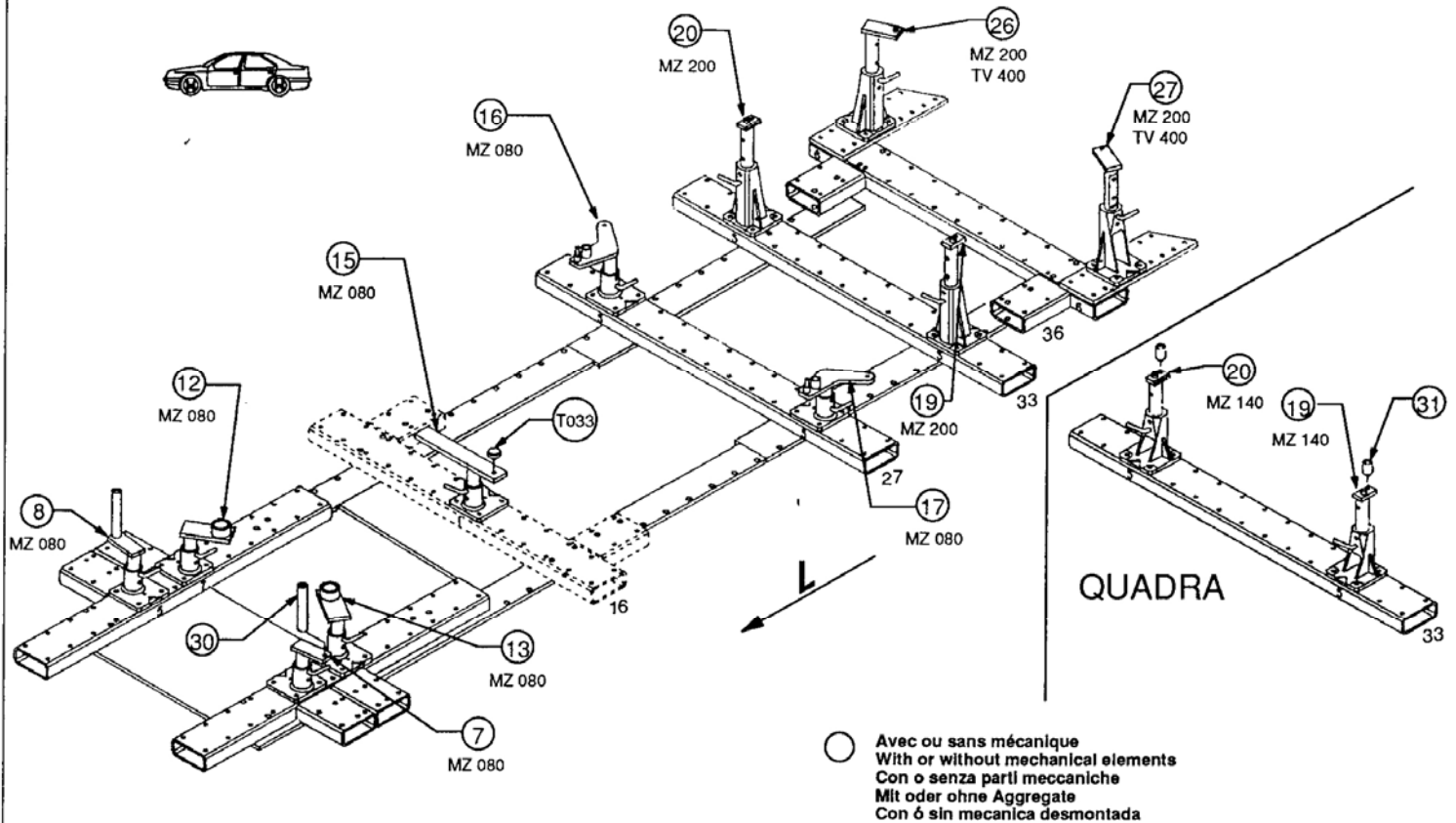
○ Avec ou sans mécanique  
With or without mechanical elements  
Con o senza parti meccaniche  
Mit oder ohne Aggregate  
Con ó sin mecanica desmontada

## RENAULT

# 629.300

85 Kg | 10.06.96 | 427-D-20A

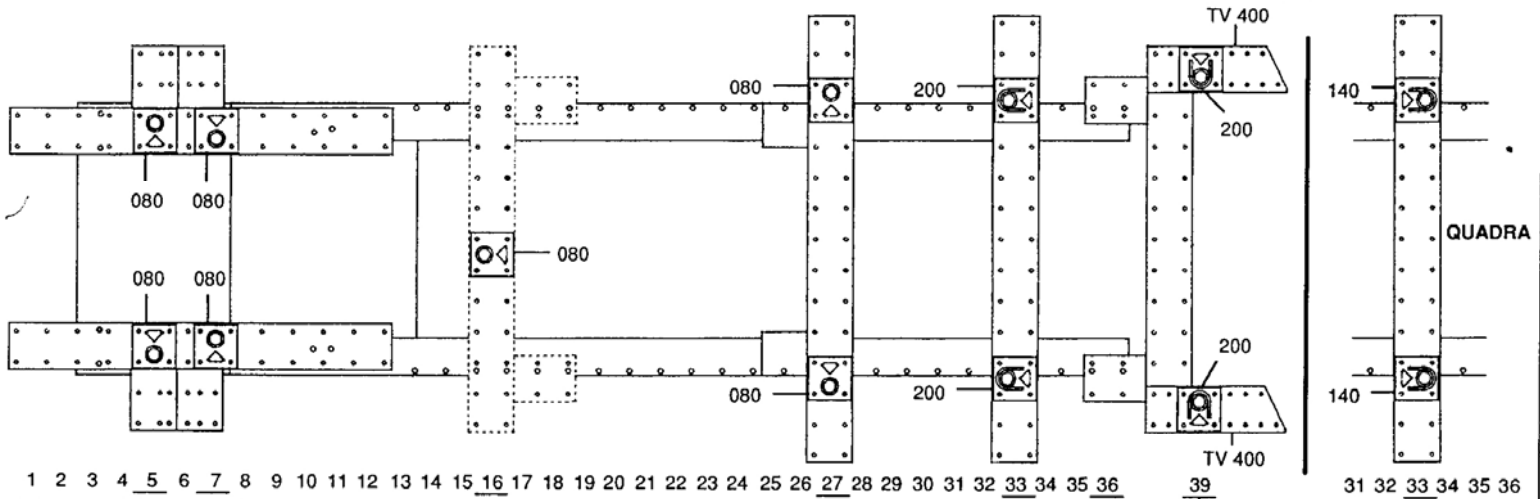




**RENAULT**

**629.300**

85 Kg    20.01.92    427-D-20B



1 2 3 4 5 6 7 8 9 10 11 12 13 14 15 16 17 18 19 20 21 22 23 24 25 26 27 28 29 30 31 32 33 34 35 36

