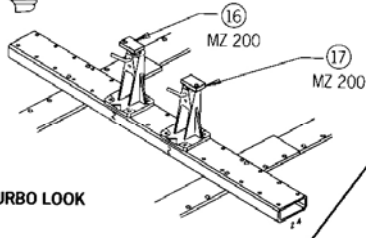
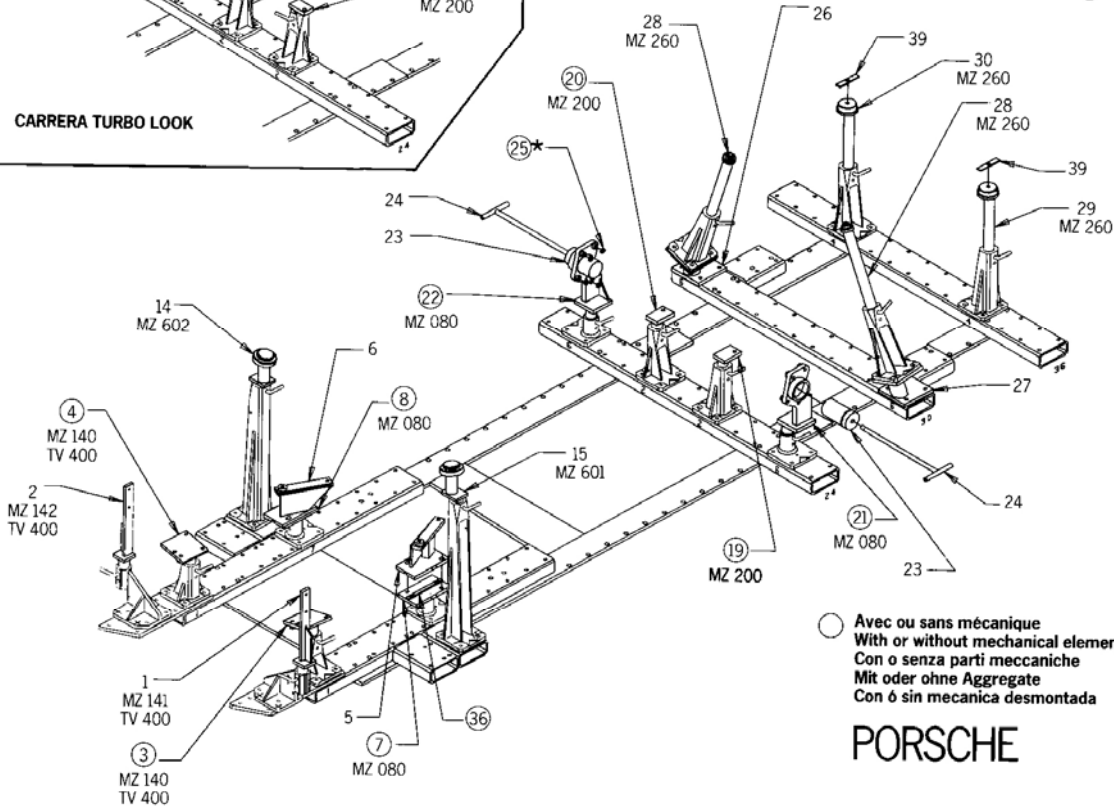




CARRERA TURBO LOOK



à utiliser pour modèles avant Août 76.
to be used for models before August 76.
für Modelle vor August 76 zu verwenden.
a utilizzare per modelli prima di Agosto 76.
utilizado para los modelos antes de Agosto 76.



○ Avec ou sans mécanique
With or without mechanical elements
Con o senza parti meccaniche
Mit oder ohne Aggregate
Con ó sin mecánica desmontada

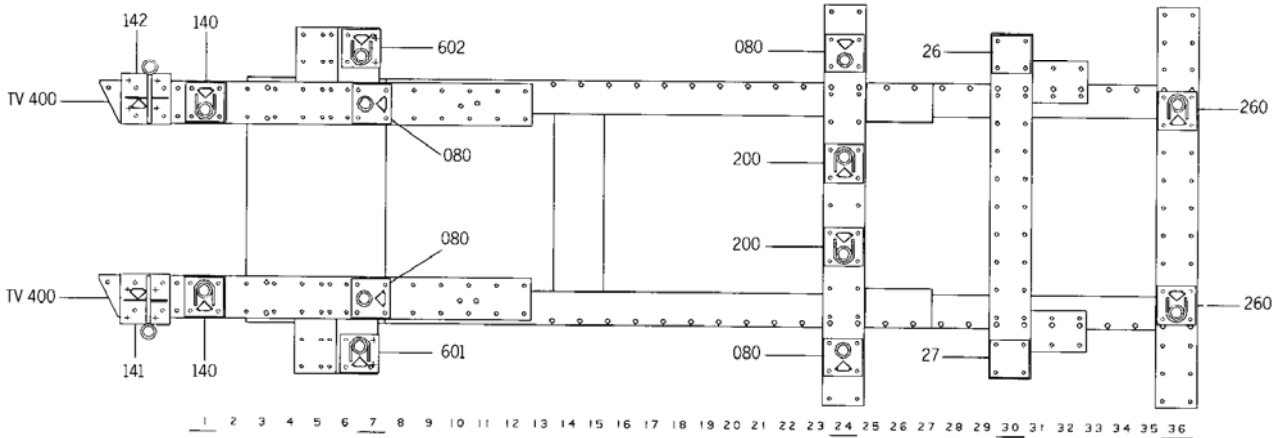
| REP. | REFERENCE | PDS. | NB | MZ |
|------|-----------|------|----|-----|
| 1 | 551.701 | 2.4 | 1 | 141 |
| 2 | 551.702 | 2.4 | 1 | 142 |
| 3 | 551.703 | 2.5 | 1 | 140 |
| 4 | 551.704 | 2.5 | 1 | 140 |
| 5 | 551.705 | 3.0 | 1 | |
| 6 | 551.706 | 3.0 | 1 | |
| 7 | 551.707 | 2.9 | 1 | 080 |
| 8 | 551.708 | 2.9 | 1 | 080 |
| 9 | 551.709 | 2.9 | 1 | |
| 10 | 551.710 | 2.9 | 1 | |
| 11 | 551.711 | 0.2 | 2 | |
| 12 | 551.712 | 0.1 | 2 | |
| 13 | 551.713 | 0.1 | 2 | |
| 14 | 551.714 | 2.8 | 1 | 602 |
| 15 | 551.715 | 2.8 | 1 | 601 |
| 16 | 551.716 | 1.3 | 1 | 080 |
| 17 | 551.717 | 1.3 | 1 | 080 |
| 18 | 551.718 | 0.2 | 2 | |
| 19 | 551.719 | 1.5 | 1 | 200 |
| 20 | 551.720 | 1.5 | 1 | 200 |
| 21 | 551.721 | 4.9 | 1 | 080 |
| 22 | 551.722 | 4.9 | 1 | 080 |
| 23 | 551.723 | 4.4 | 2 | |
| 24 | 551.724 | 0.9 | 2 | |
| 25 | 551.725 | 0.1 | 8 | |
| 26 | 551.726 | 4.9 | 1 | |
| 27 | 551.727 | 4.9 | 1 | |
| 28 | 551.728 | 4.1 | 2 | 260 |
| 29 | 551.729 | 4.5 | 1 | 260 |
| 30 | 551.730 | 4.5 | 1 | 260 |
| 36 | 551.736 | 0.1 | 2 | |
| 37 | 551.737 | 0.1 | 1 | |
| 38 | 551.738 | 0.1 | 1 | |
| 39 | 551.739 | 0.1 | 2 | |

| | |
|----------------|---|
| M 8 x 20 | 8 |
| M 10 x 25 | 8 |
| M 10 x 40 | 6 |
| M 10 x 50 | 2 |
| M 12 x 20 | 2 |
| M 12 x 30 | 4 |
| M 12 x 35 | 8 |
| M 12.150 x 30 | 2 |
| M 12.150 x 40 | 2 |
| M 12.150 x 110 | 2 |

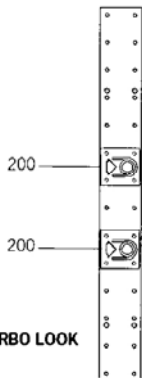
PORSCHE

551.300

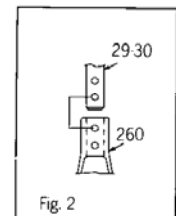
| | | |
|-------|----------|---------------|
| 91 kg | 20.06.88 | 425 - D - 3 A |
|-------|----------|---------------|

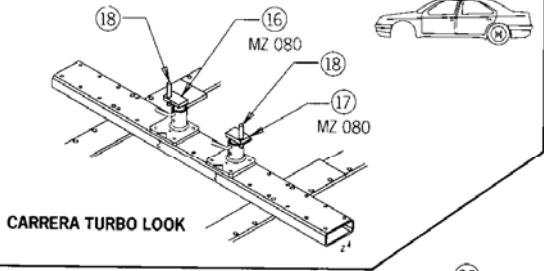


1 2 3 4 5 6 7 8 9 10 11 12 13 14 15 16 17 18 19 20 21 22 23 24 25 26 27 28 29 30 31 32 33 34 35 36

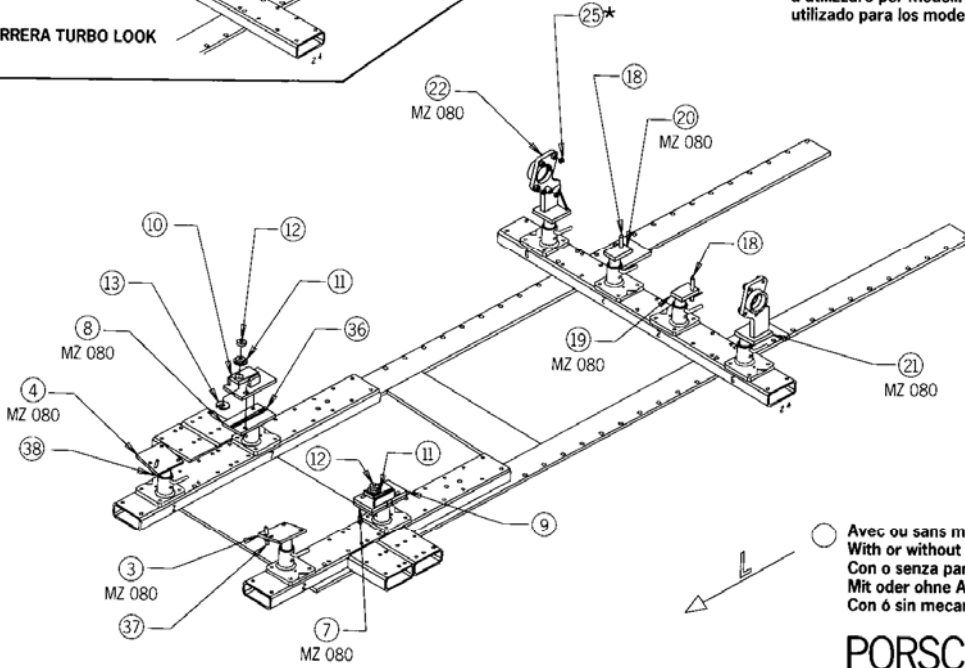


CARRERA TURBO LOOK





à utiliser pour modèles avant Août 76.
to be used for models before August 76.
für Modelle vor August 76 zu verwenden.
a utilizzare per modelli prima di Agosto 76.
utilizado para los modelos antes de Agosto 76.



○ Avec ou sans mécanique
With or without mechanical elements
Con o senza parti meccaniche
Mit oder ohne Aggregate
Con ó sin mecánica desmontada

PORSCHE

| REP. | REFERENCE | PDS. | NB | MZ |
|------|-----------|------|----|-----|
| 1 | 551.701 | 2,4 | 1 | 141 |
| 2 | 551.702 | 2,4 | 1 | 142 |
| 3 | 551.703 | 2,5 | 1 | 140 |
| 4 | 551.704 | 2,5 | 1 | 140 |
| 5 | 551.705 | 3,0 | 1 | |
| 6 | 551.706 | 3,0 | 1 | |
| 7 | 551.707 | 2,9 | 1 | 080 |
| 8 | 551.708 | 2,9 | 1 | 080 |
| 9 | 551.709 | 2,9 | 1 | |
| 10 | 551.710 | 2,9 | 1 | |
| 11 | 551.711 | 0,2 | 2 | |
| 12 | 551.712 | 0,1 | 2 | |
| 13 | 551.713 | 0,1 | 2 | |
| 14 | 551.714 | 2,8 | 1 | 602 |
| 15 | 551.715 | 2,8 | 1 | 601 |
| 16 | 551.716 | 1,3 | 1 | 080 |
| 17 | 551.717 | 1,3 | 1 | 080 |
| 18 | 551.718 | 0,2 | 2 | |
| 19 | 551.719 | 1,5 | 1 | 200 |
| 20 | 551.720 | 1,5 | 1 | 200 |
| 21 | 551.721 | 4,9 | 1 | 080 |
| 22 | 551.722 | 4,9 | 1 | 080 |
| 23 | 551.723 | 4,4 | 2 | |
| 24 | 551.724 | 0,9 | 2 | |
| 25 | 551.725 | 0,1 | 8 | |
| 26 | 551.726 | 4,9 | 1 | |
| 27 | 551.727 | 4,9 | 1 | |
| 28 | 551.728 | 4,1 | 2 | 260 |
| 29 | 551.729 | 4,5 | 1 | 260 |
| 30 | 551.730 | 4,5 | 1 | 260 |
| 36 | 551.736 | 0,1 | 2 | |
| 37 | 551.737 | 0,1 | 1 | |
| 38 | 551.738 | 0,1 | 1 | |
| 39 | 551.739 | 0,1 | 2 | |

| | |
|----------------|---|
| M 8 x 20 | 8 |
| M 10 x 25 | 8 |
| M 10 x 40 | 6 |
| M 10 x 50 | 2 |
| M 12 x 20 | 2 |
| M 12 x 30 | 4 |
| M 12 x 35 | 8 |
| M 12150 x 30 | 2 |
| M 12150 x 40 | 2 |
| M 12.150 x 110 | 2 |

551.300

91 kg 20.06.88 425 · D · 3 B

