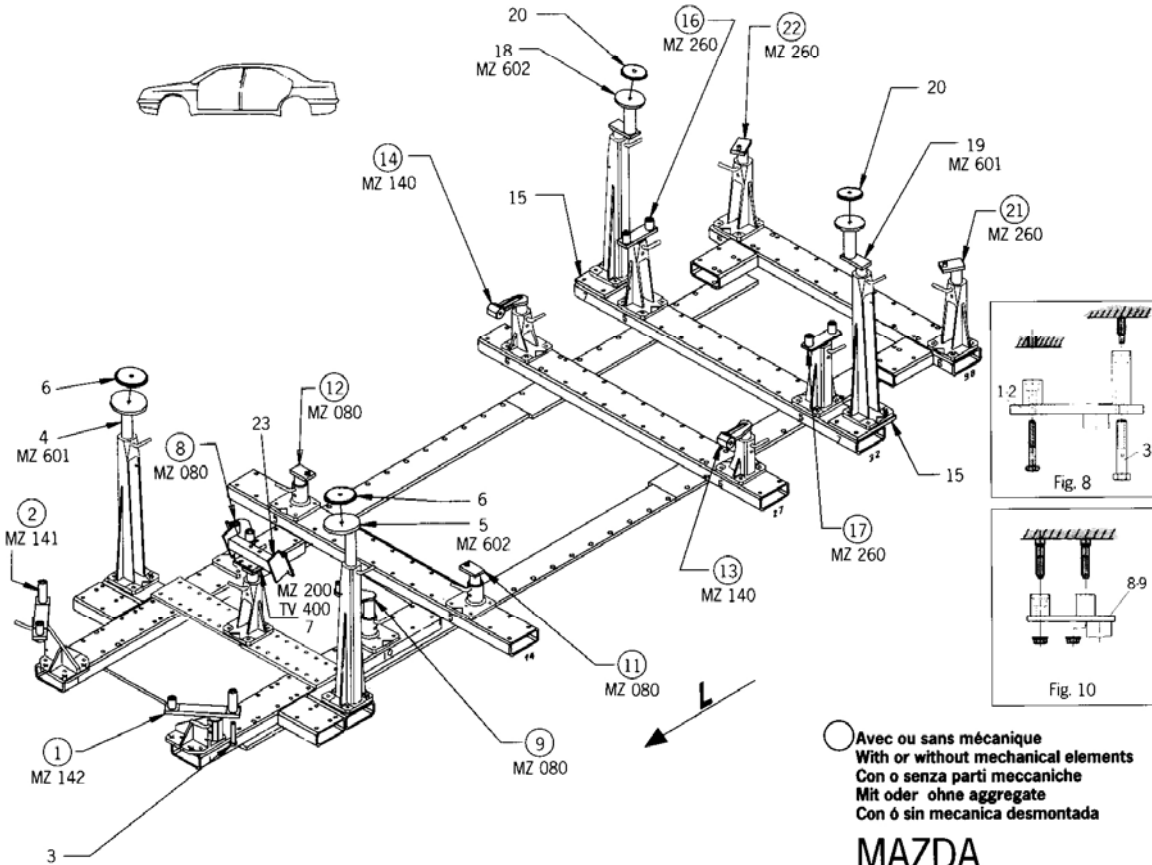




CELETTE

VIENNE-FRANCE

MAZDA 626 Mod. 88 BERLINE GD 12/14



○ Avec ou sans mécanique
 With or without mechanical elements
 Con o senza parti meccaniche
 Mit oder ohne aggregate
 Con ó sin mecanica desmontada

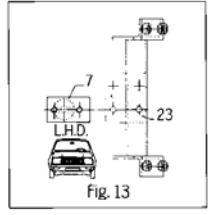
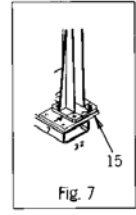
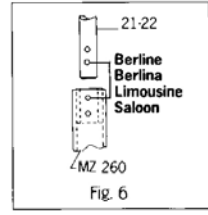
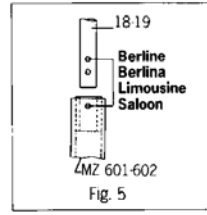
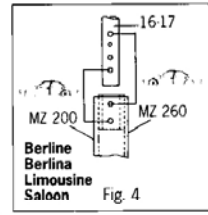
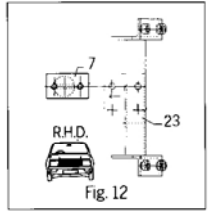
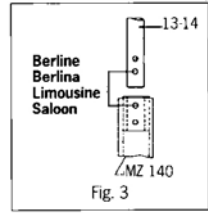
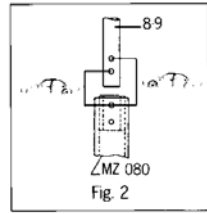
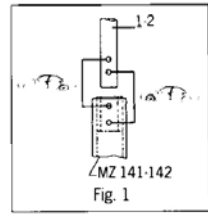
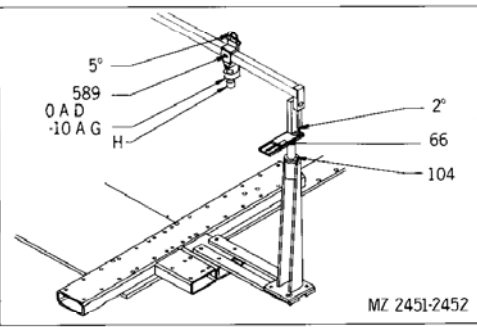
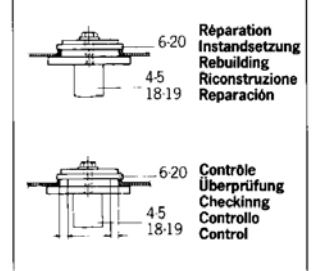
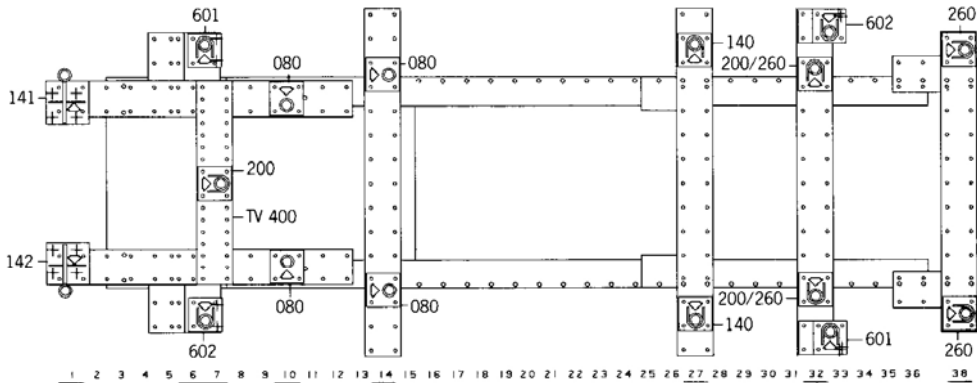
MAZDA

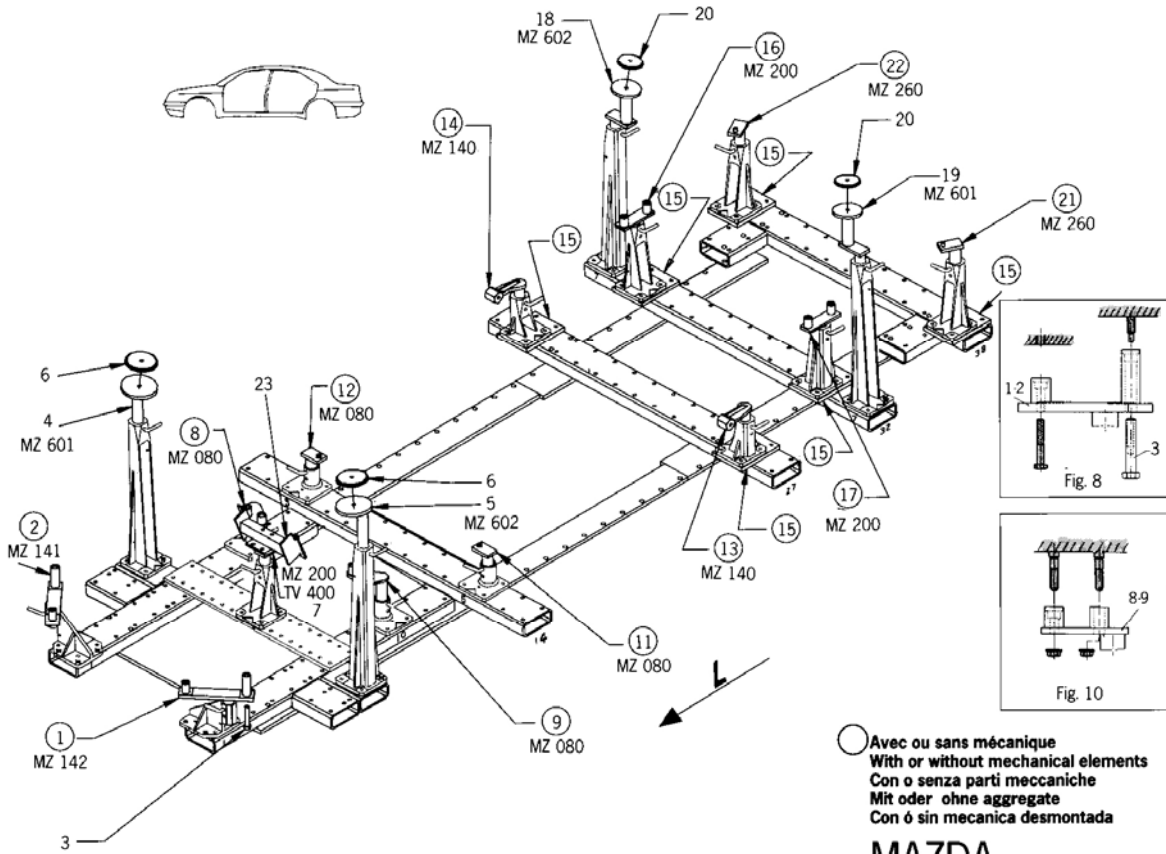
REP.	REFERENCE	POS.	NB	MZ
1	535.701	2.8	1	142
2	535.702	2.8	1	141
3	535.703	0.2	2	
4	535.704	3.4	1	601
5	535.705	3.4	1	602
6	535.706	1.2	2	
7	535.707	1.5	1	200
8	535.708	2.2	1	080
9	535.709	2.2	1	080
10	535.710	0.1	2	
11	535.711	1.5	1	080
12	535.712	1.5	1	080
13	535.713	2.0	1	140
14	535.714	2.0	1	140
15	535.715	2.8	6	
16	535.716	2.1	1	260/200
17	535.717	2.1	1	260/200
18	535.718	2.9	1	602
19	535.719	2.9	1	601
20	535.720	0.8	2	
21	535.721	1.6	1	260
22	535.722	1.6	1	260
23	535.723	2.7	1	

1	M 12x60 M 12x16	1
2	CHC 12x25 M 10.125x30 M 10.125x70 M 12x25	12 4 6 4

535.300

63 kg	10.20.87	419 - D - 15 A
-------	----------	----------------





○ Avec ou sans mécanique
 With or without mechanical elements
 Con o senza parti meccaniche
 Mit oder ohne aggregate
 Con ó sin mecanica desmontada

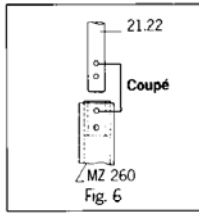
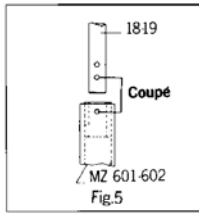
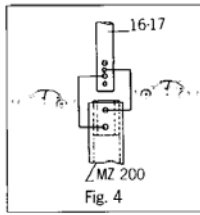
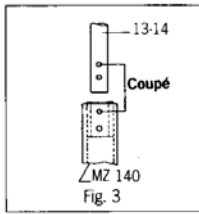
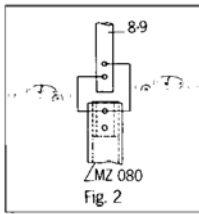
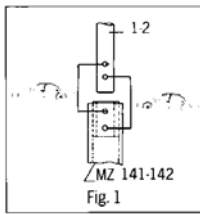
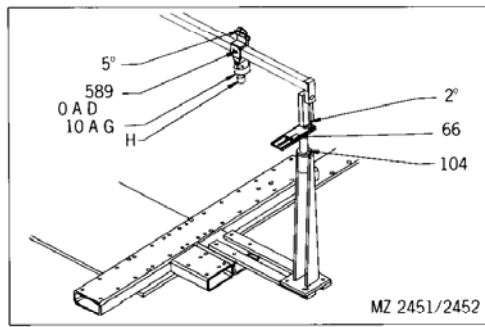
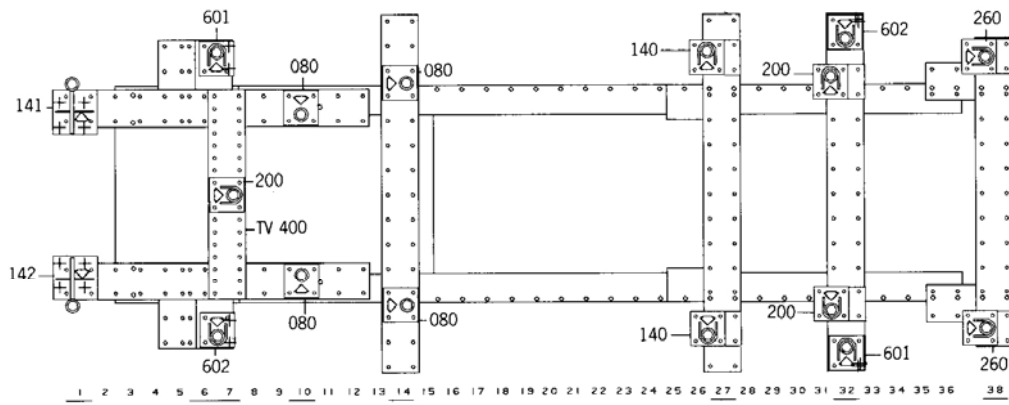
MAZDA

REP.	REFERENCE	PDS.	NB	MZ
1	535.701	2.8	1	142
2	535.702	2.8	1	141
3	535.703	0.2	2	
4	535.704	3.4	1	601
5	535.705	3.4	1	602
6	535.706	1.2	2	
7	535.707	1.5	1	200
8	535.708	2.2	1	080
9	535.709	2.2	1	080
10	535.710	0.1	2	
11	535.711	1.5	1	080
12	535.712	1.5	1	080
13	535.713	2.0	1	140
14	535.714	2.0	1	140
15	535.715	2.8	6	
16	535.716	2.1	1	260/200
17	535.717	2.1	1	260/200
18	535.718	2.9	1	602
19	535.719	2.9	1	601
20	535.720	0.8	2	
21	535.721	1.6	1	260
22	535.722	1.6	1	260
23	535.723	2.7	1	

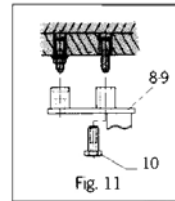
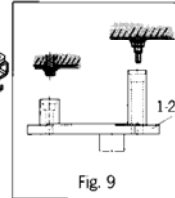
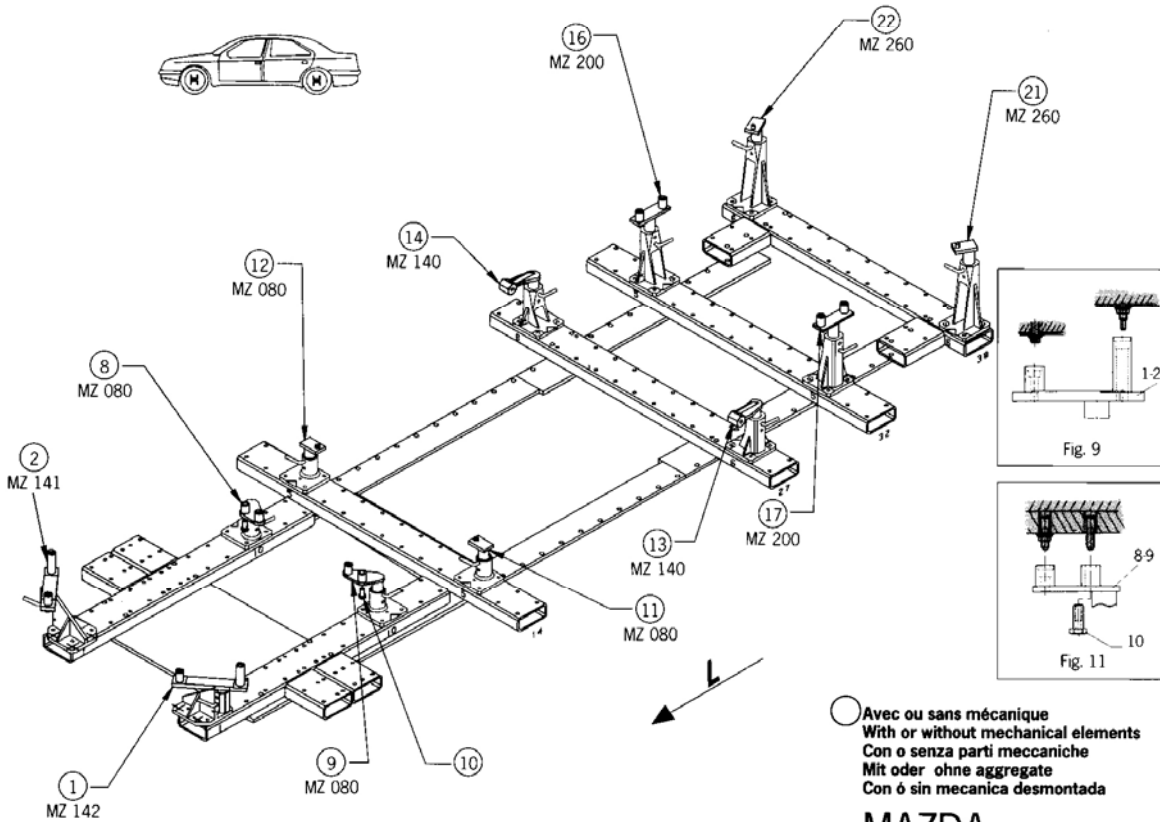
①	M 12x60 M 12x16	1 1
②	CHC 12x25 TB M 10.125x30 M 10.125x70 M 12x25	12 4 6 4

535.300

63 kg	10.20.87	419 · D · 15B
-------	----------	---------------



6-20	Réparation
4-5	Instandsetzung
18-19	Rebuilding
	Riconstruzione
	Reparacion
6-20	Contrôle
4-5	Überprüfung
18-19	Checking
	Controllo
	Control



○ Avec ou sans mécanique
With or without mechanical elements
Con o senza parti meccaniche
Mit oder ohne aggregate
Con ó sin mecanica desmontada

MAZDA

REP.	REFERENCE	PDS.	NB	MZ
1	535.701	2.8	1	142
2	535.702	2.8	1	141
3	535.703	0.2	2	
4	535.704	3.4	1	601
5	535.705	3.4	1	602
6	535.706	1.2	2	
7	535.707	1.5	1	200
8	535.708	2.2	1	080
9	535.709	2.2	1	080
10	535.710	0.1	2	
11	535.711	1.5	1	080
12	535.712	1.5	1	080
13	535.713	2.0	1	140
14	535.714	2.0	1	140
15	535.715	2.8	6	
16	535.716	2.1	1	260/200
17	535.717	2.1	1	260/200
18	535.718	2.9	1	602
19	535.719	2.9	1	601
20	535.720	0.8	2	
21	535.721	1.6	1	260
22	535.722	1.6	1	260
23	535.723	2.7	1	

①	M 12x60 M 12x16	1	1
②	CHC 12x25 TB M 10.125x30 M 10.125x70 M 12x25	12	4 4 6 4

535.300

63 kg 10.20.87 419 - D - 15 C

