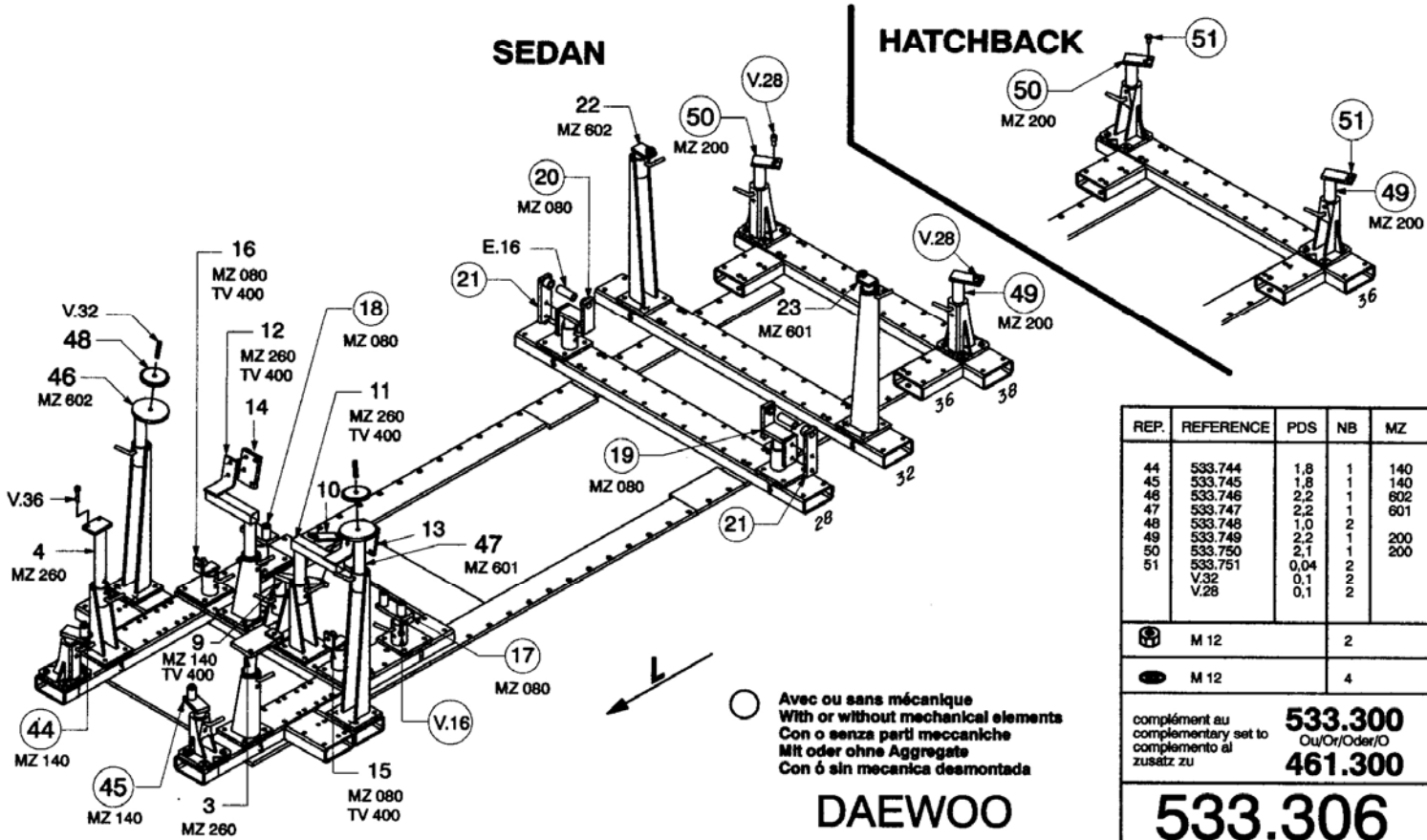


SEDAN

HATCHBACK



| REP. | REFERENCE | PDS | NB | MZ |
|------|-----------|------|----|-----|
| 44 | 533.744 | 1,8 | 1 | 140 |
| 45 | 533.745 | 1,8 | 1 | 140 |
| 46 | 533.746 | 2,2 | 1 | 602 |
| 47 | 533.747 | 2,2 | 1 | 601 |
| 48 | 533.748 | 1,0 | 2 | 1 |
| 49 | 533.749 | 2,2 | 1 | 200 |
| 50 | 533.750 | 2,1 | 1 | 200 |
| 51 | 533.751 | 0,04 | 2 | 2 |
| | V.32 | 0,1 | 2 | |
| | V.28 | 0,1 | 2 | |

| | | |
|--|------|---|
| | M 12 | 2 |
| | M 12 | 4 |

complément au
complementary set to
complemento al
zusatz zu

533.300
Ou/Or/Oder/O
461.300

DAEWOO

533.306

15 Kg | 23.03.98 | 440-D-12E

