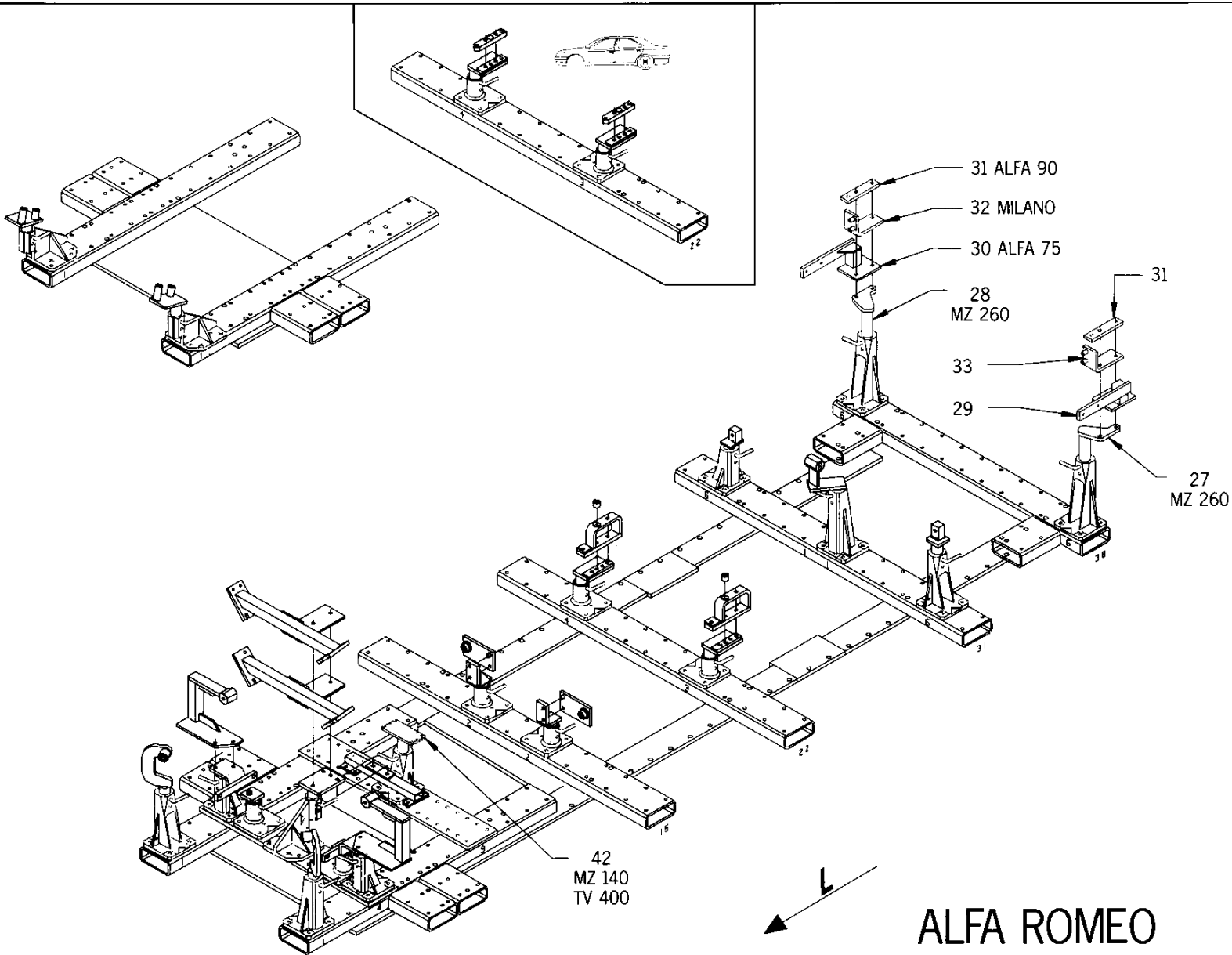




**CELETTE**

VIENNE-FRANCE

# ALFA ROMEO ALFETTA GIULIETTA ALFA 75 - ALFA 90 - MILANO



REP.	RÉFÉRENCE	PDS	NB	MZ
<b>525.308</b>				
<b>MILANO - ALFA 90 - ALFA 75</b>				
<b>ALFETTA - GIULIETTA</b>				
42	525.742	2.2	1	140

<b>525.307</b>				
<b>ALFA 90 - ALFA 75</b>				
27	525.727	2.5	1	250
28	525.728	2.5	1	260
29	525.729	2.3	1	
30	525.730	2.3	1	
31	525.731	0.6	2	
M 12 x 20			2	
M 12 x 30			4	
M 8 x 30			4	

<b>525.306</b>				
<b>ALFA MILANO</b>				
27	525.727	2.5	1	260
28	525.728	2.5	1	260
32	525.732	1.2	1	
33	525.733	1.2	1	
M 12 x 30			4	
M 6 x 40			4	

complément au  
complementary set to  
complemento al  
zusatz zu  
complemento al

**525.300**

**525.308**  
**525.307**  
**525.306**

2/11/08 kg	11.18.87	401 - D - 3 C
------------	----------	---------------

ALFA ROMEO