

REP	REFERENCE	PDS	NB	M.Z
1	509.701	2.4	1	140
2	509.702	2.4	1	140/1450
3	509.703	1.9	1	080
4	509.704	1.9	1	080
5	509.705	3.3	1	601
6	509.706	3.3	1	602
7	509.707	1.0	2	
8	509.708	2.2	1	141
9	509.709	3.7	1	260
10	509.710	2.0	1	080
11	509.711	2.0	1	080
12	509.712	0.05	4	
13	509.713	2.0	1	080
14	509.714	2.0	1	080
15	509.715	1.6	1	140
16	509.716	1.6	1	140
17	509.717	2.2	1	200
18	509.718	2.2	1	200
19	509.719	2.2	1	601
20	509.720	2.2	1	602
21	509.721	3.7	1	200
22	509.722	3.7	1	200
23	509.723	0.3	2	

M12X30 2
 M18X30 2
 M18 2

CELETTE VIENNE FRANCE

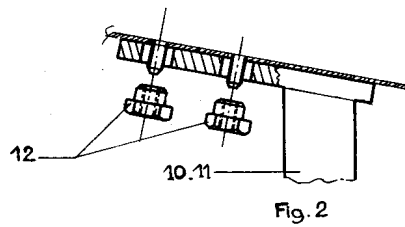
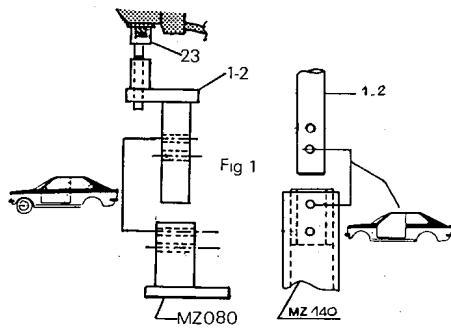
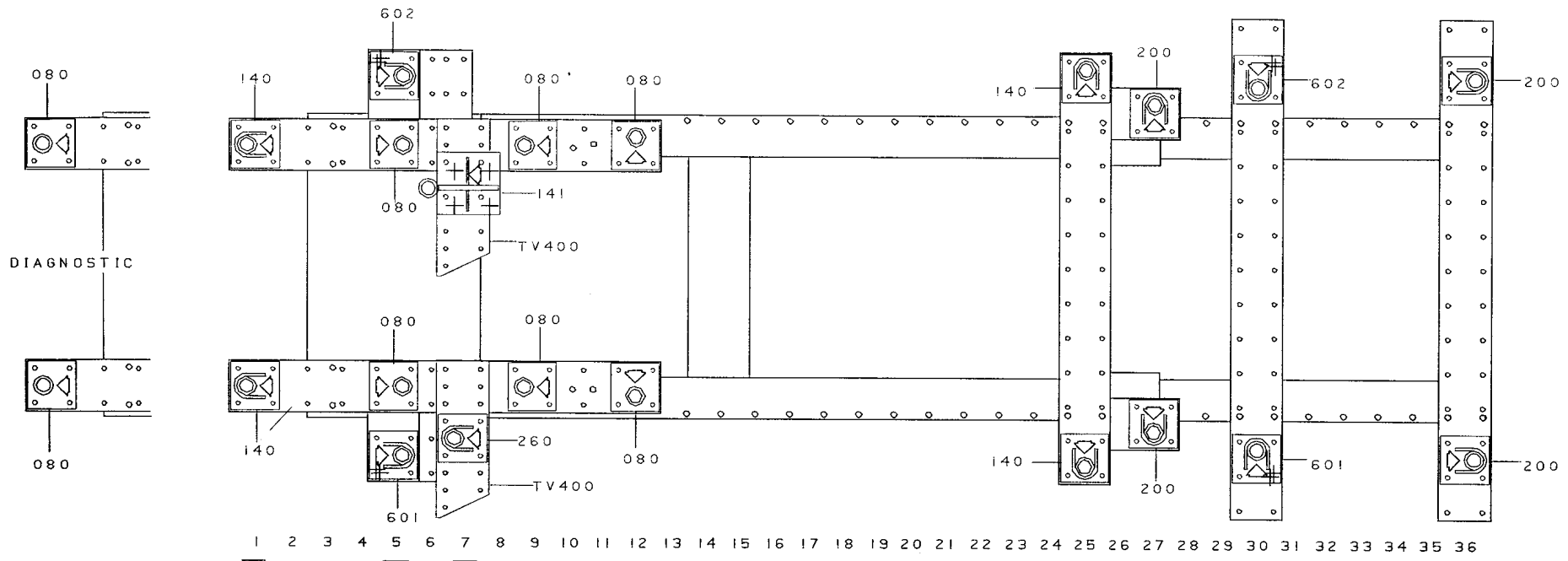
LADA. VERT JAUNE
VERDE GIALLASTRO
GELBGRUN
GREEN YELLOW

2108 SAMARA

509.300

AVEC OU SANS MECANIQUE
 CON O SENZA PARTI MECCANICHE
 MIT ODER OHNE AGGREGATE
 WITH OR WITHOUT MECHANICAL ELEMENTS
 CON O SIN MECANICA DESMONTADA

50 4-17-87 416.D.3A



CELETTE VIENNE FRANCE

LADA		
2108		SAMARA
509.300	09.29.86	416.D.3A