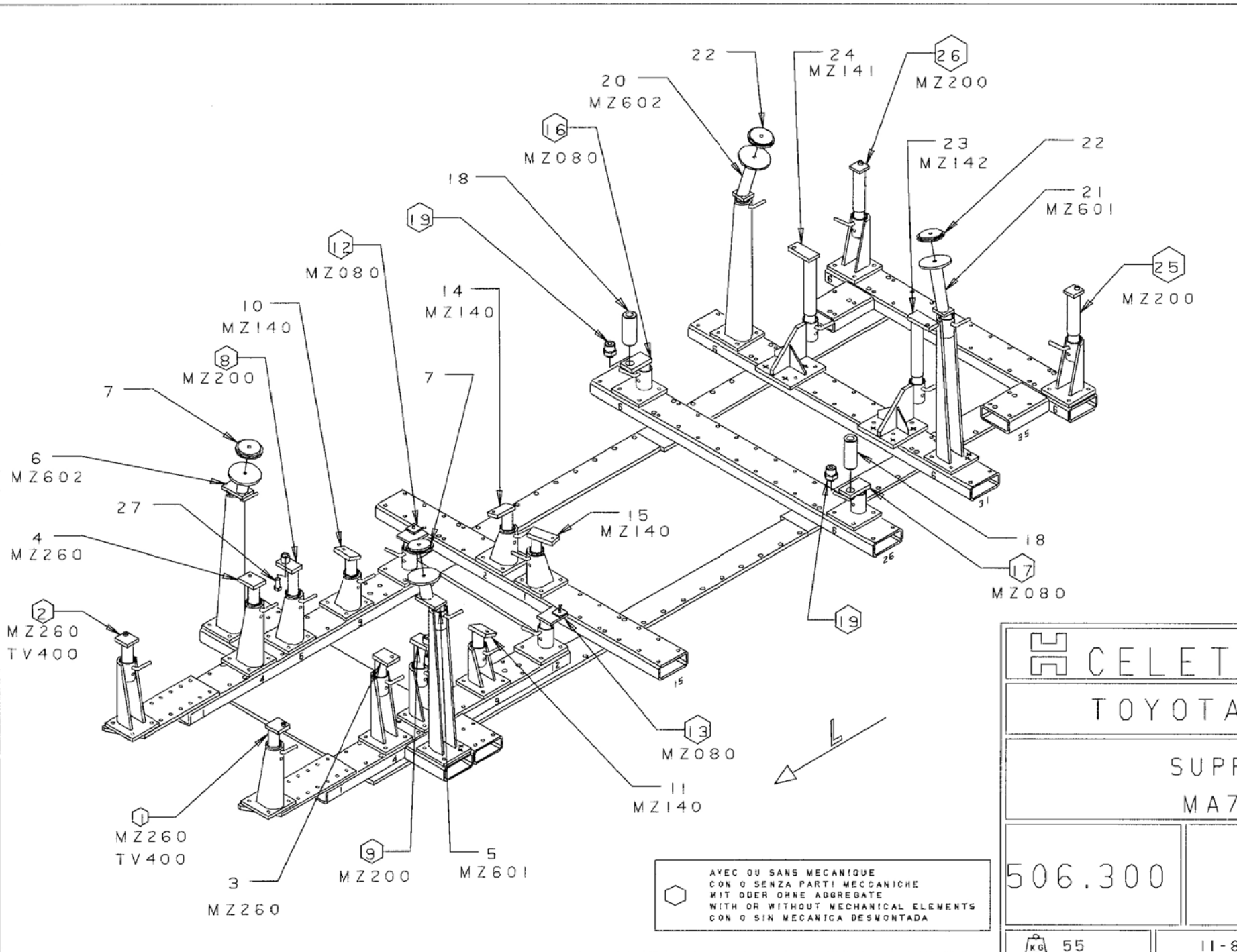


REP	REFERENCE	PDS	NB	M.Z
1	506.701	1.9	1	260
2	506.702	1.9	1	260
3	506.703	1.9	1	260
4	506.704	1.9	1	260
5	506.705	2.4	1	601
6	506.706	2.4	1	602
7	506.707	0.7	2	
8	506.708	2.4	1	200
9	506.709	2.4	1	200
10	506.710	1.9	1	140
11	506.711	1.9	1	40
12	506.712	1.5	1	080
13	506.713	1.5	1	080
14	506.714	2.1	1	140
15	506.715	2.0	1	140
16	506.716	1.5	1	080
17	506.717	1.5	1	080
18	506.718	2.0	2	
19	506.719	0.5	2	
20	506.720	2.4	1	602
21	506.721	2.4	1	601
22	506.722	1.0	2	
23	506.723	2.6	1	142
24	506.724	2.6	1	141
25	506.725	2.3	1	200
26	506.726	2.3	1	200
27	506.727	0.1	2	

M12.125X160	2
M12X30	4
M14.150X25	2
M8X30	2
M12X160	2
M14X30	2
LLU14	2



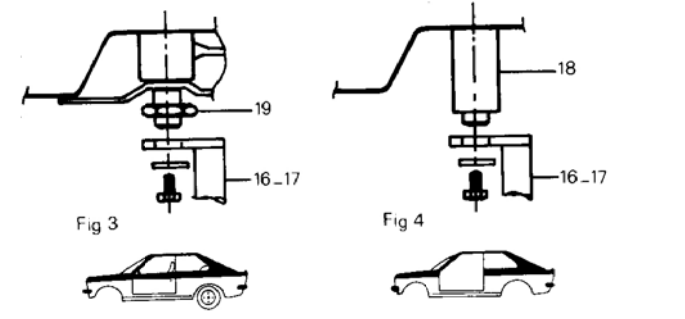
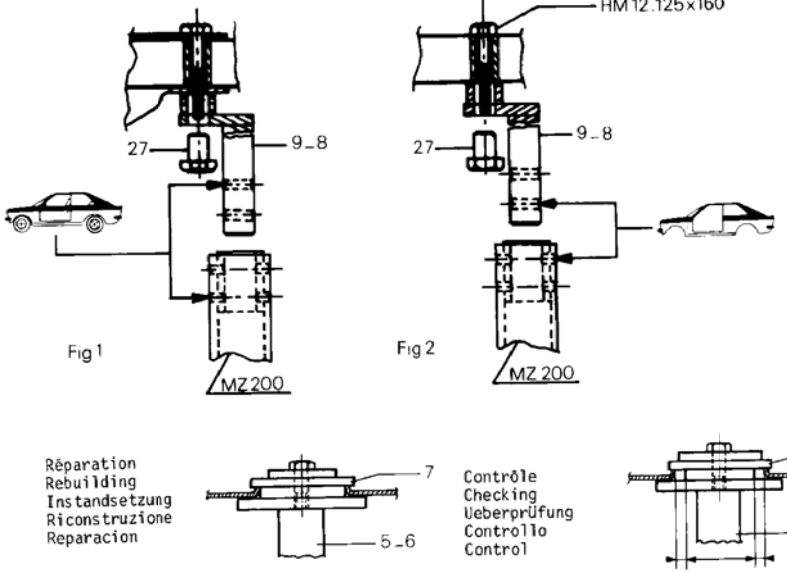
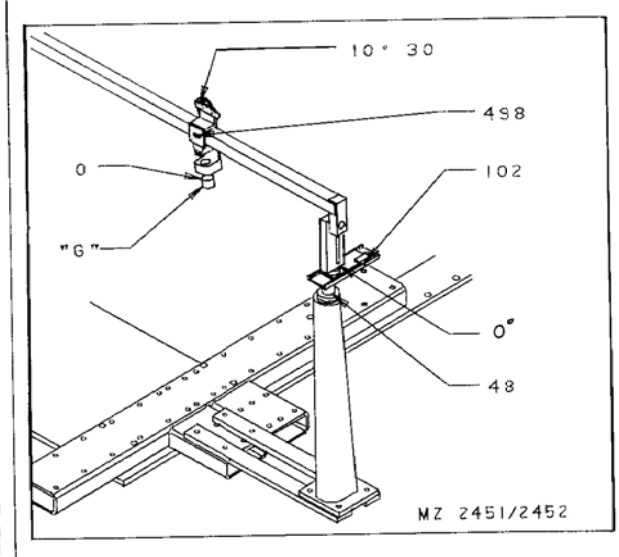
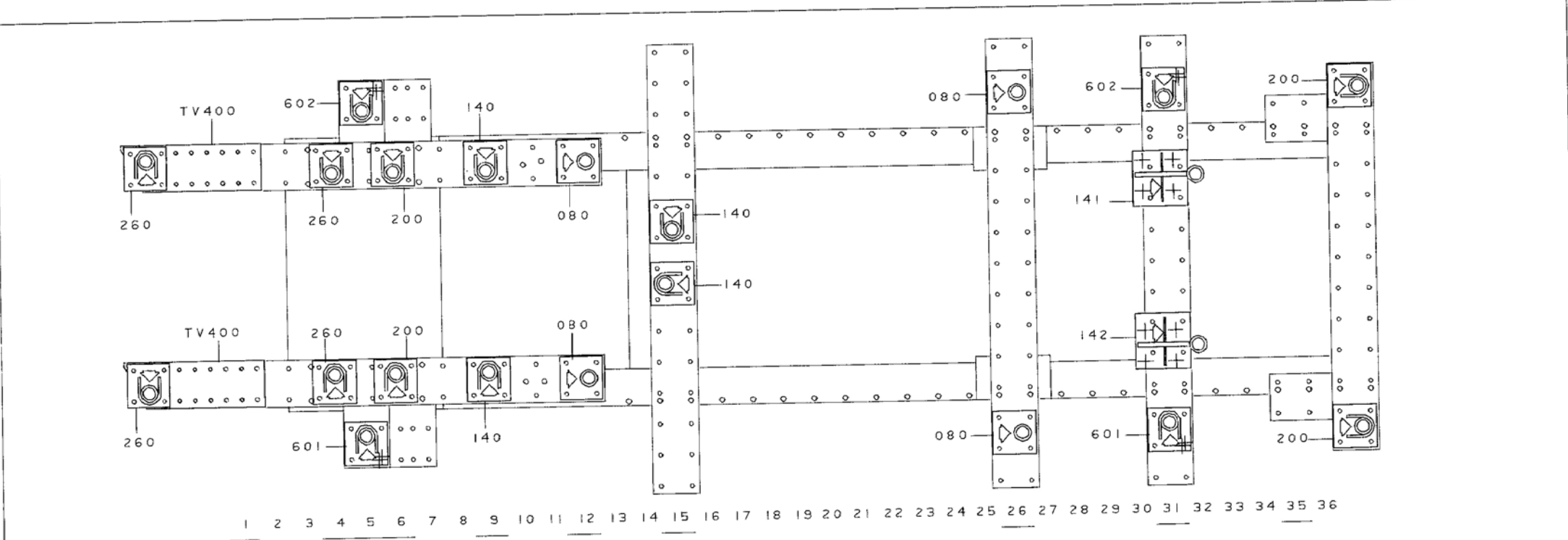
CELETTE VIENNE FRANCE

TOYOTA

SUPRA
MA70

506.300

kg 55 11-86 434-D-24A



TOYOTA

SUPRA
MA70

506.300 11-86