

REP	REFERENCE	PDS	NB	M.Z
1	505.701	3.0	1	140
2	505.702	3.0	1	140
3	505.703	2.5	1	141
4	505.704	2.5	1	142
5	505.705	3.0	1	601
6	505.706	3.0	1	602
7	505.707	1.5	2	
8	505.708	2.4	1	140/80
9	505.709	2.4	1	140/80
10	505.710	0.1	2	
11	505.711	0.1	2	
12	505.712	2.0	1	080
13	505.713	2.0	1	080
14	505.714	2.5	1	080
15	505.715	2.5	1	080
16	505.716	1.5	2	
17	505.717	3.5	1	260
18	505.718	3.5	1	260
19	505.719	2.8	1	260
20	505.720	2.8	1	260
21	505.721	2.6	1	200
22	505.722	2.6	1	200
23	505.723	1.6	1	
24	505.724	1.6	1	
E19		0.1	2	
B.70		0.2	2	

- VIS HM12X20 2
- VIS HM10X70 2
- VIS HM12X30 2
- VIS HM12X90 4
- VIS HM8X40 4
- BULON HM8X30 6

CELETTE VIENNE FRANCE

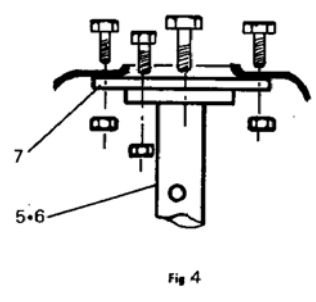
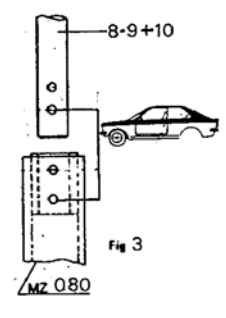
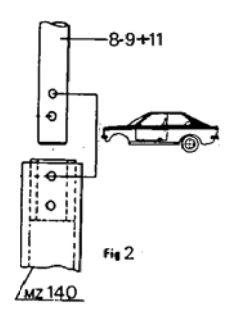
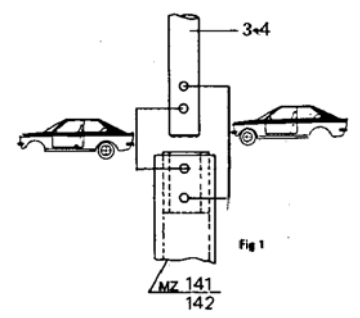
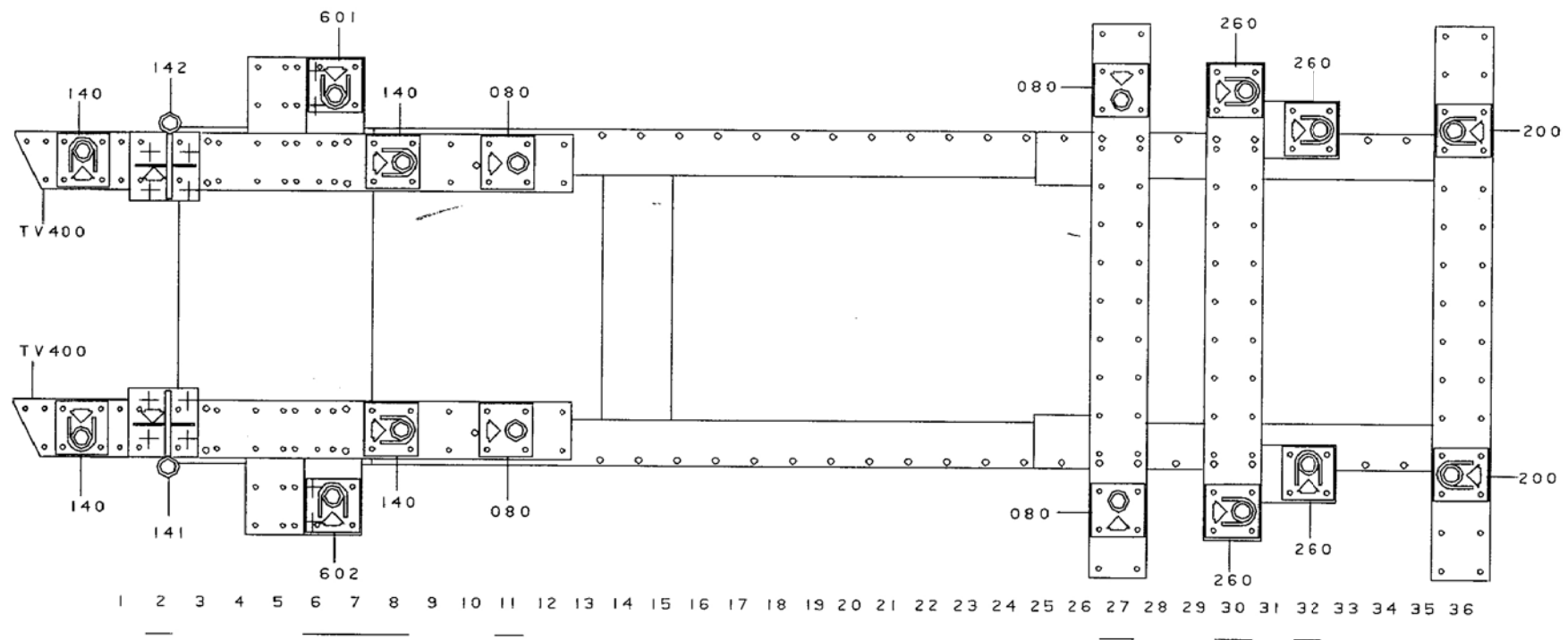
VOLVO

480

505.300

58 10-13-86 439-D-5A

AVEC OU SANS MECANIQUE
 CON O SENZA PARTI MECCANICHE
 MIT ODER OHNE AGGREGATE
 WITH OR WITHOUT MECHANICAL UNITS
 CON O SIN MECANICA DESMONTADA



VOLVO

480

505.300 10.10.86 439.D.5A